

REV.	DATE	DESCRIPTION
△	-	-
△	-	-
△	-	-
△	-	-
△	-	-

CUSTOMER APPROVAL
(SIGNATURE)

6100 CASEMENT-PICTURE WOOD WINDOW
TRIPLE GLAZED

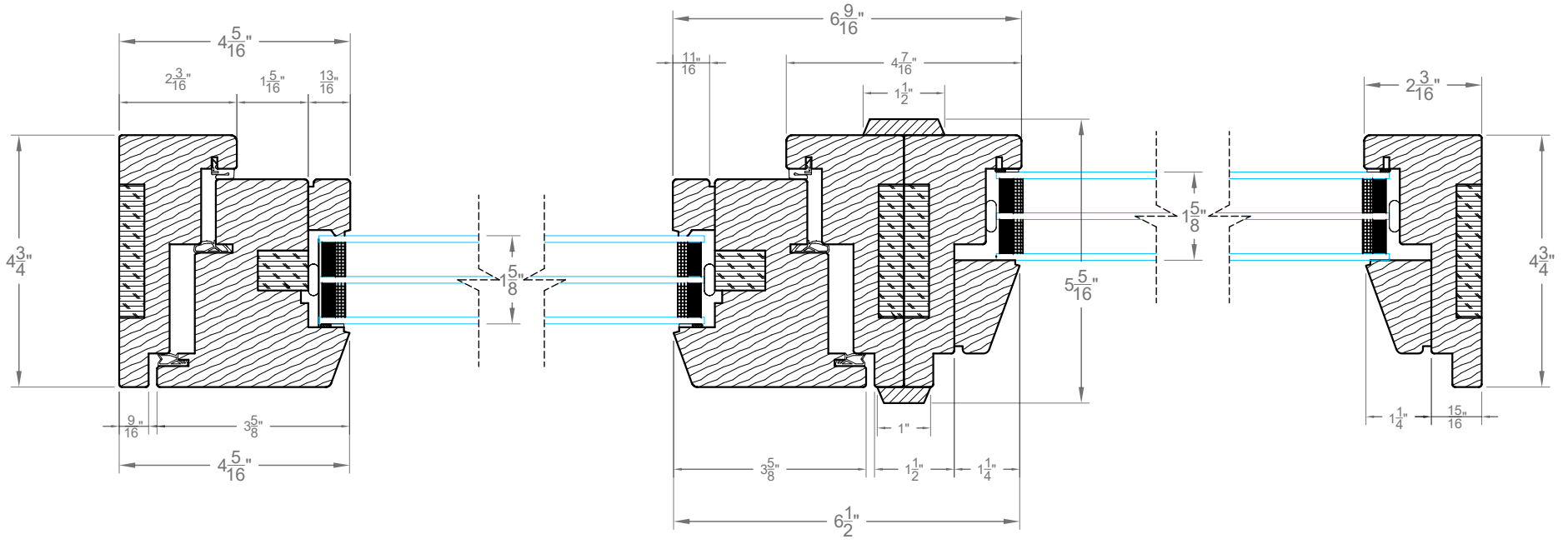
SCALE 1:3
DATE 9/6/2018

SALES REP -
DRAWN BY -

ORDER NUMBER -

DRAWING NUMBER
S1

INTERIOR



EXTERIOR



fenestration
canada
WESTECK WINDOWS MFG INC. 2018
MEMBER IN GOOD STANDING
THESE DRAWINGS ARE WESTECK'S
CONFIDENTIAL AND PROPRIETARY
INFORMATION AND SHALL NOT BE
GIVEN TO ANY OTHER PERSON OR
COMPANY WITHOUT WESTECK'S
PRIOR WRITTEN CONSENT

REV.	DATE	DESCRIPTION
△	-	-
△	-	-
△	-	-
△	-	-
△	-	-

CUSTOMER APPROVAL
(SIGNATURE)

6100 CASEMENT-PICTURE WOOD WINDOW
TRIPLE GLAZED

SCALE 1:3
DATE 9/6/2018

SALES REP -
DRAWN BY -

ORDER NUMBER -

DRAWING NUMBER
S2