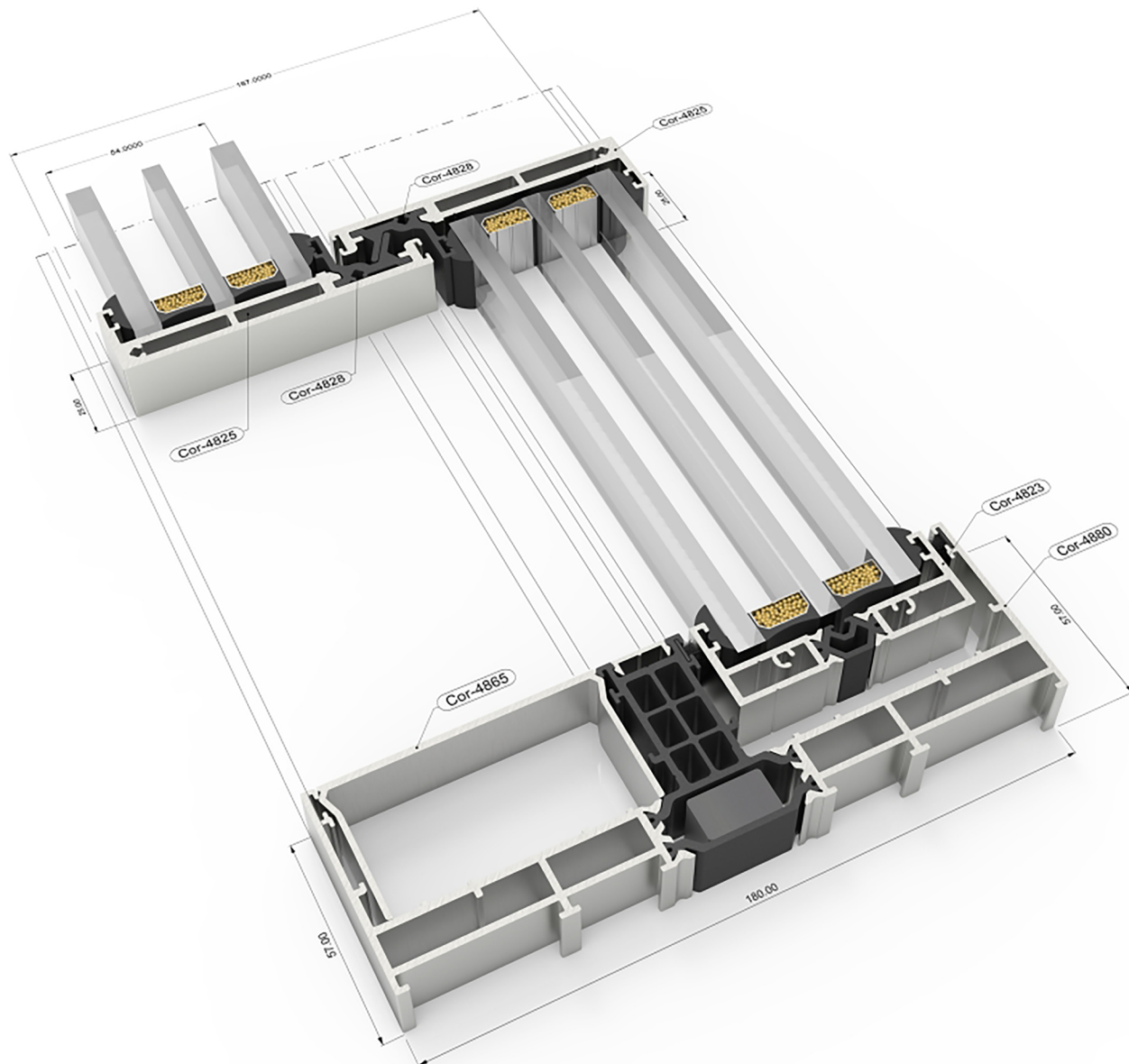


PANORAMA ALUMINUM PATIO OPENING



The Panorama Star system is a high-performance aluminum minimally framed large patio sliding system. Its designed for stunning aesthetics, comfort and quality, durability, energy performance and security.

Acoustic Insulation

Maximum glazing: **54 mm**

Maximum accoustic insulation: **Rw = 43 dB**

Categories Achieved at Test Center

Protection against atmospheric agents

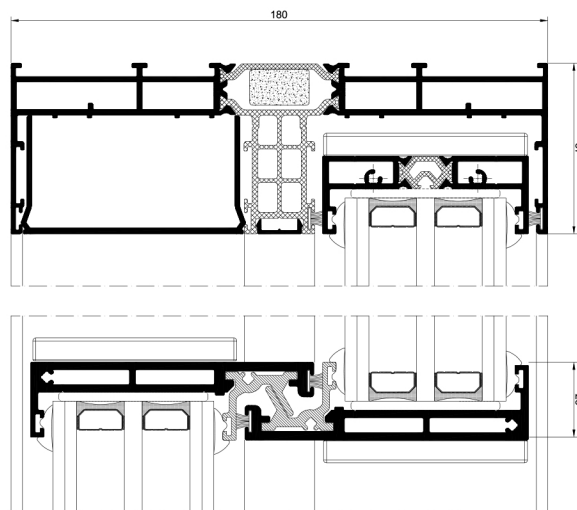
Air permeability (EN 12207): **Class 4**

Water tightness (EN 12208): **Class 7A* / 9A****

Wind resistance (EN 12210): **Class C3* / C4****

* Reference test: Balcony 4.00 x 3.00 m, 2 sashes.

** Reference test: Balcony 4.00 x 3.00 m, 1 sash + 1 fixed.



Sections	Frame 180 mm Triple Rail 278 mm Sash 69 mm
Profile Thickness	Door 2.0 mm
Maximum Dimensions	Width (L) = 4000 mm Height (H) = 4000 mm Glass surface ≤ 14 m ²
Maximum Weight/Sash	400 Kg Manual 700 Kg Motorized
Please consult regarding maximum weight and dimensions according to types	
Finishes	Colour powder coating (RAL, mottled, rough...) According to Qualicoat >60 microns Wood effect powder coating According to Qualideco standard Anodized According to Ewwa Euras Standard Class 15 Optionally Class 20 and 25 Optionally bicoloured
Hardware	Optionally drainage system and drainage grid made of stainless steel

Extrusion Alloy

6063 T-5

Polyamide Strip Length

Polyamide 6.6 reinforced with 25% fiberglass from 18 to 40 mm

Opening Possibilities

Sliding 2, 3, 4 and 6 sashes.
Optionally monorail and triple rail.
(1 sash + 1 fixed) (2 sashes + 1 fixed).
Optional corner sash at 90° without mullions