


**fenestration
canada**
 WESTECK WINDOWS MFG INC. 2017
 MEMBER IN GOOD STANDING
 THESE DRAWINGS ARE WESTECK'S
 CONFIDENTIAL AND PROPRIETARY
 INFORMATION AND SHALL NOT BE
 GIVEN TO ANY OTHER PERSON OR
 COMPANY WITHOUT WESTECK'S
 PRIOR WRITTEN CONSENT

REV.	DATE	DESCRIPTION
△	-	-
△	-	-
△	-	-
△	-	-
△	-	-

CUSTOMER APPROVAL (SIGNATURE)

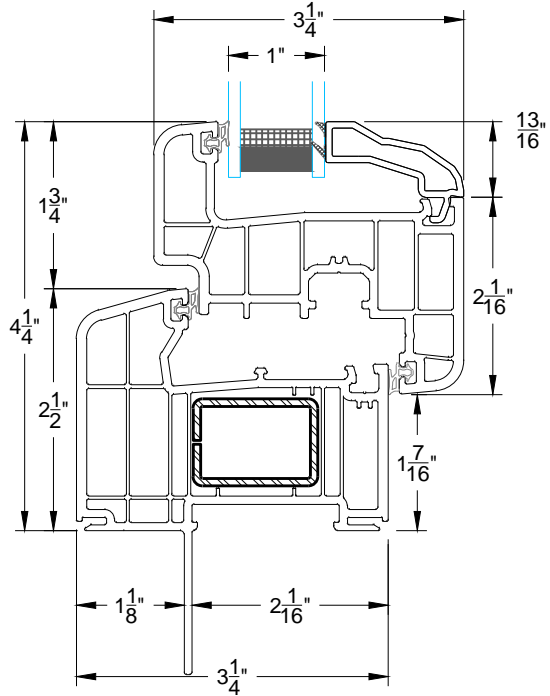
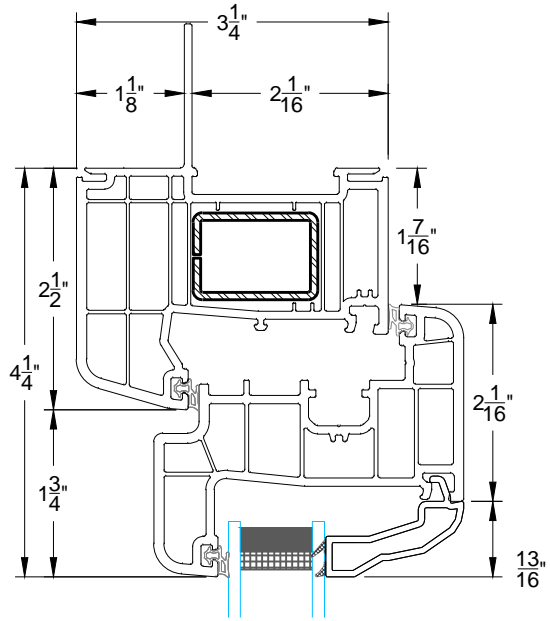
Revolution XL - Tilt & Turn - Tilt & Turn w/Single Mullion
 Horizontal Section

SCALE 1:3
 DATE 05-21-2019

SALES REP -
 DRAWN BY -

ORDER NUMBER -

DRAWING NUMBER D1





 fenestration
 canada
WESTECK WINDOWS MFG INC. 2017
 MEMBER IN GOOD STANDING
THESE DRAWINGS ARE WESTECK'S
 CONFIDENTIAL AND PROPRIETARY
 INFORMATION AND SHALL NOT BE
 GIVEN TO ANY OTHER PERSON OR
 COMPANY WITHOUT WESTECK'S
 PRIOR WRITTEN CONSENT

REV.	DATE	DESCRIPTION
△	-	-
△	-	-
△	-	-
△	-	-
△	-	-

CUSTOMER APPROVAL (SIGNATURE)

Revolution XL - Tilt & Turn - Tilt & Turn w/Single Mullion
 Vertical Sections

SCALE 1:2
 DATE 11-03-2018

SALES REP -
 DRAWN BY -

ORDER NUMBER -

DRAWING NUMBER D2