


 fenestration
 canada
WESTECK WINDOWS MFG INC. 2017
 MEMBER IN GOOD STANDING
THESE DRAWINGS ARE WESTECK'S
 CONFIDENTIAL AND PROPRIETARY
 INFORMATION AND SHALL NOT BE
 GIVEN TO ANY OTHER PERSON OR
 COMPANY WITHOUT WESTECK'S
 PRIOR WRITTEN CONSENT

REV.	DATE	DESCRIPTION
△	-	-
△	-	-
△	-	-
△	-	-
△	-	-

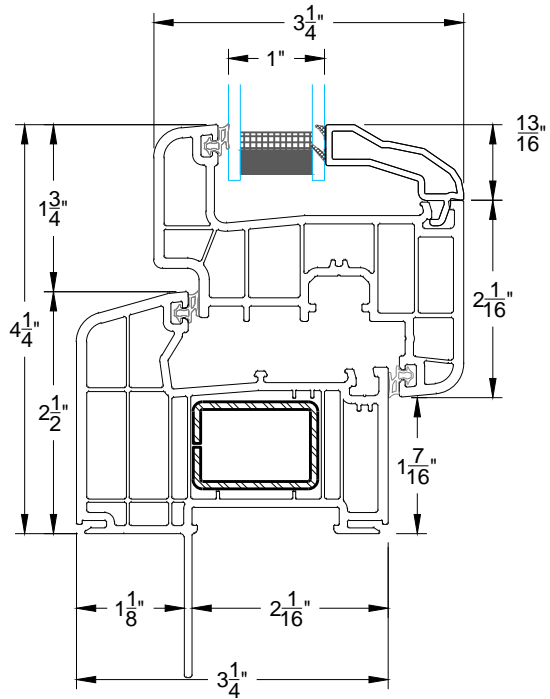
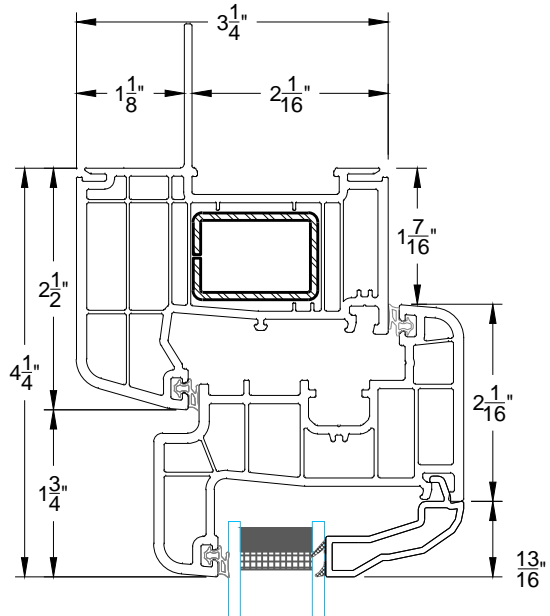
CUSTOMER APPROVAL
 (SIGNATURE)

 Revolution XL - Tilt & Turn - Tilt & Turn - Picture w/Double Mullion

 Horizontal Section

SCALE	1:3
DATE	05-21-2019
SALES REP	-
DRAWN BY	-

ORDER NUMBER	-
DRAWING NUMBER	D1





 fenestration
 canada
WESTECK WINDOWS MFG INC. 2017
 MEMBER IN GOOD STANDING
 THESE DRAWINGS ARE WESTECK'S
 CONFIDENTIAL AND PROPRIETARY
 INFORMATION AND SHALL NOT BE
 GIVEN TO ANY OTHER PERSON OR
 COMPANY WITHOUT WESTECK'S
 PRIOR WRITTEN CONSENT

REV.	DATE	DESCRIPTION
△	-	-
△	-	-
△	-	-
△	-	-
△	-	-

CUSTOMER APPROVAL
 (SIGNATURE)

 Revolution XL - Tilt & Turn - Tilt & Turn - Picture w/Double Mullion

 Vertical Sections

SCALE	1:2
DATE	11-03-2018
SALES REP	-
DRAWN BY	-

ORDER NUMBER	-
DRAWING NUMBER	D2