

fenestration
canada
WESTECK WINDOWS MFG INC. 2017
MEMBER IN GOOD STANDING
THESE DRAWINGS ARE WESTECK'S
CONFIDENTIAL AND PROPRIETARY
INFORMATION AND SHALL NOT BE
GIVEN TO ANY OTHER PERSON OR
COMPANY WITHOUT WESTECK'S
PRIOR WRITTEN CONSENT

REV.	DATE	DESCRIPTION
△	-	-
△	-	-
△	-	-
△	-	-
△	-	-

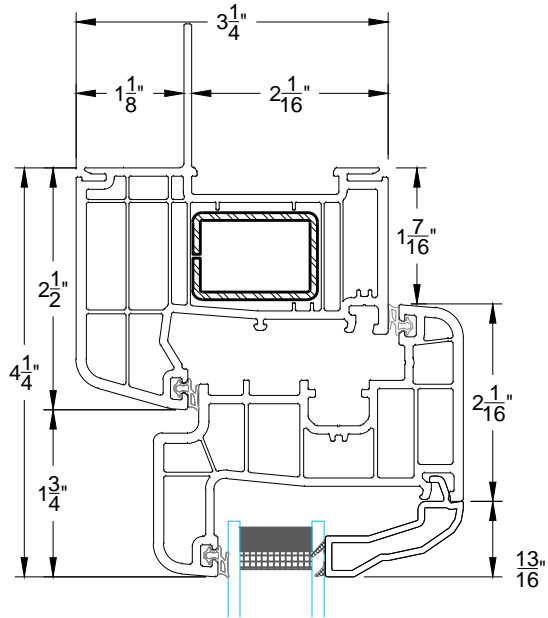
CUSTOMER APPROVAL
(SIGNATURE)

Revolution XL - Tilt & Turn - Picture w/Double Mullion

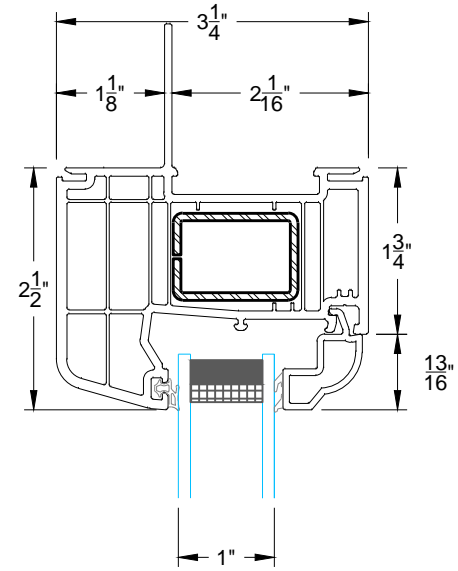
Horizontal Section

SCALE	1:2
DATE	05-21-2019
SALES REP	-
DRAWN BY	-

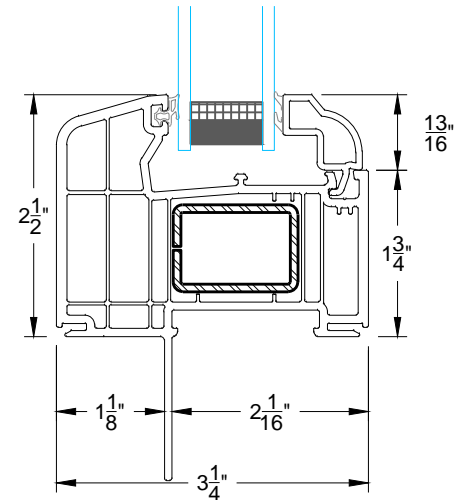
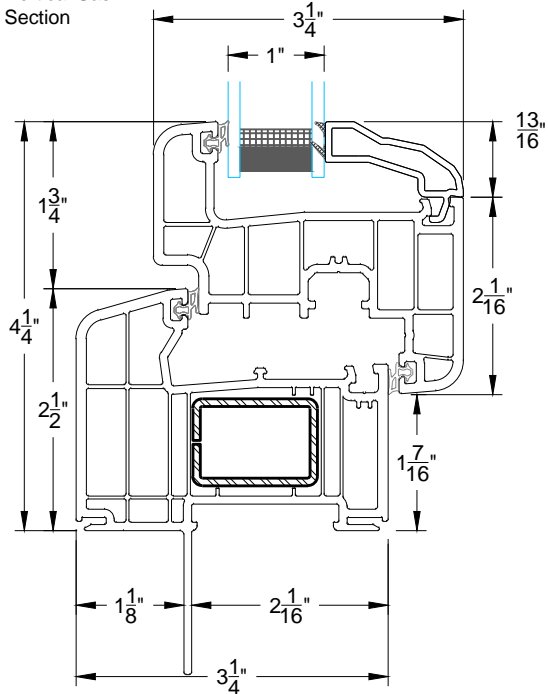
ORDER NUMBER	-
DRAWING NUMBER	D1



Vertical Sash Section



Vertical Picture Section



fenestration
canada
WESTECK WINDOWS MFG INC. 2017
MEMBER IN GOOD STANDING
THESE DRAWINGS ARE WESTECK'S
CONFIDENTIAL AND PROPRIETARY
INFORMATION AND SHALL NOT BE
GIVEN TO ANY OTHER PERSON OR
COMPANY WITHOUT WESTECK'S
PRIOR WRITTEN CONSENT

REV.	DATE	DESCRIPTION
△	-	-
△	-	-
△	-	-
△	-	-
△	-	-

CUSTOMER APPROVAL (SIGNATURE)	SCALE 1:2	ORDER NUMBER -
Revolution XL - Tilt & Turn - Picture w/Double Mullion	DATE 05-21-2019	DRAWING NUMBER D2
Vertical Sections	SALES REP -	
	DRAWN BY -	