

*Note: PHI certified systems c/w limited glazing options.
Contact your Sales Representative for more information



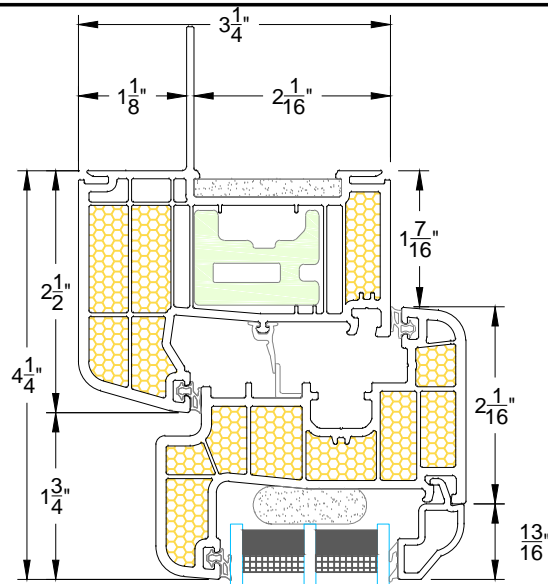
fenestration
canada
WESTECK WINDOWS MFG INC. 2017
MEMBER IN GOOD STANDING
THESE DRAWINGS ARE WESTECK'S
CONFIDENTIAL AND PROPRIETARY
INFORMATION AND SHALL NOT BE
GIVEN TO ANY OTHER PERSON OR
COMPANY WITHOUT WESTECK'S
PRIOR WRITTEN CONSENT

REV.	DATE	DESCRIPTION
△	-	-
△	-	-
△	-	-
△	-	-
△	-	-

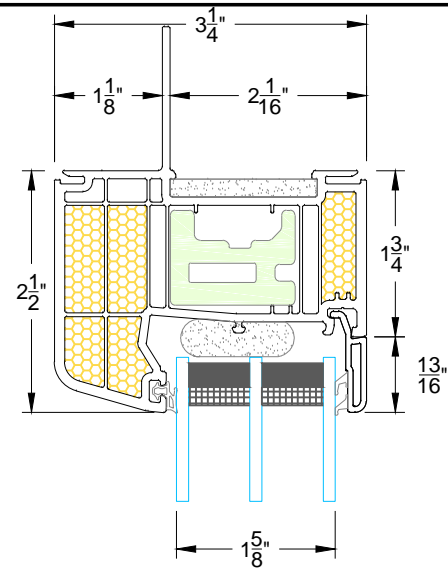
CUSTOMER APPROVAL (SIGNATURE)
Revolution XL PH - Tilt & Turn - Picture w/Single Mullion
Horizontal Section

SCALE	1:2
DATE	07-03-2019
SALES REP	-
DRAWN BY	-

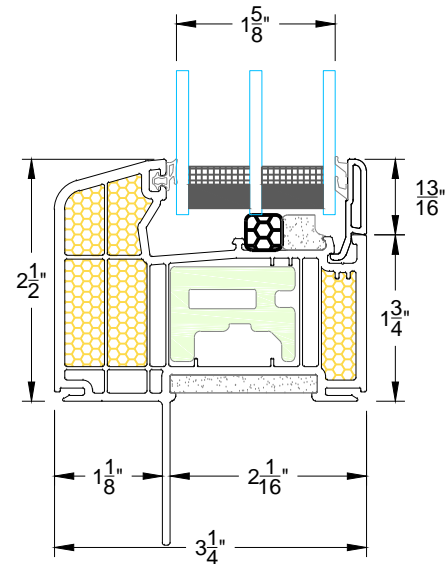
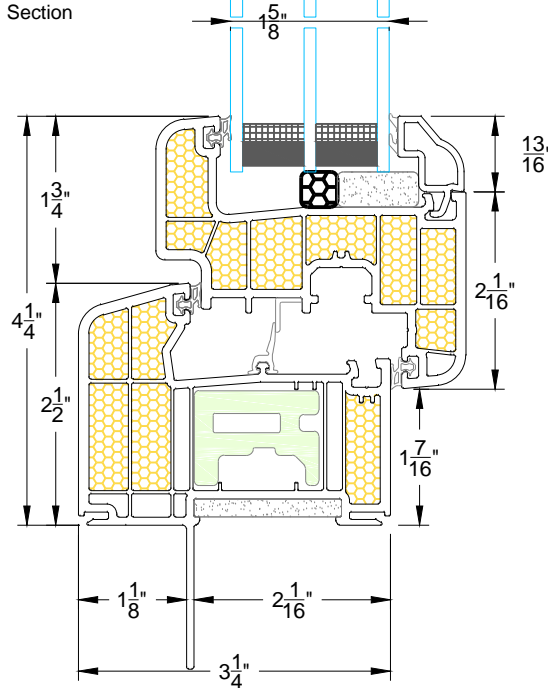
ORDER NUMBER	-
DRAWING NUMBER	D1



Vertical Sash Section



Vertical Picture Section



*Note: PHI certified systems c/w limited glazing options.
Contact your Sales Representative for more information



fenestration
canada
WESTECK WINDOWS MFG INC. 2017
MEMBER IN GOOD STANDING
THESE DRAWINGS ARE WESTECK'S
CONFIDENTIAL AND PROPRIETARY
INFORMATION AND SHALL NOT BE
GIVEN TO ANY OTHER PERSON OR
COMPANY WITHOUT WESTECK'S
PRIOR WRITTEN CONSENT

REV.	DATE	DESCRIPTION
△	-	-
△	-	-
△	-	-
△	-	-
△	-	-

CUSTOMER APPROVAL
(SIGNATURE)

Revolution XL PH - Tilt & Turn - Picture w/Single Mullion

Vertical Sections

SCALE	1:2
DATE	07-03-2019
SALES REP	-
DRAWN BY	-

ORDER NUMBER	-
DRAWING NUMBER	D2