

fenestration
canada
WESTECK WINDOWS MFG INC. 2017
MEMBER IN GOOD STANDING
THESE DRAWINGS ARE WESTECK'S
CONFIDENTIAL AND PROPRIETARY
INFORMATION AND SHALL NOT BE
GIVEN TO ANY OTHER PERSON OR
COMPANY WITHOUT WESTECK'S
PRIOR WRITTEN CONSENT

REV.	DATE	DESCRIPTION
△	-	-
△	-	-
△	-	-
△	-	-
△	-	-

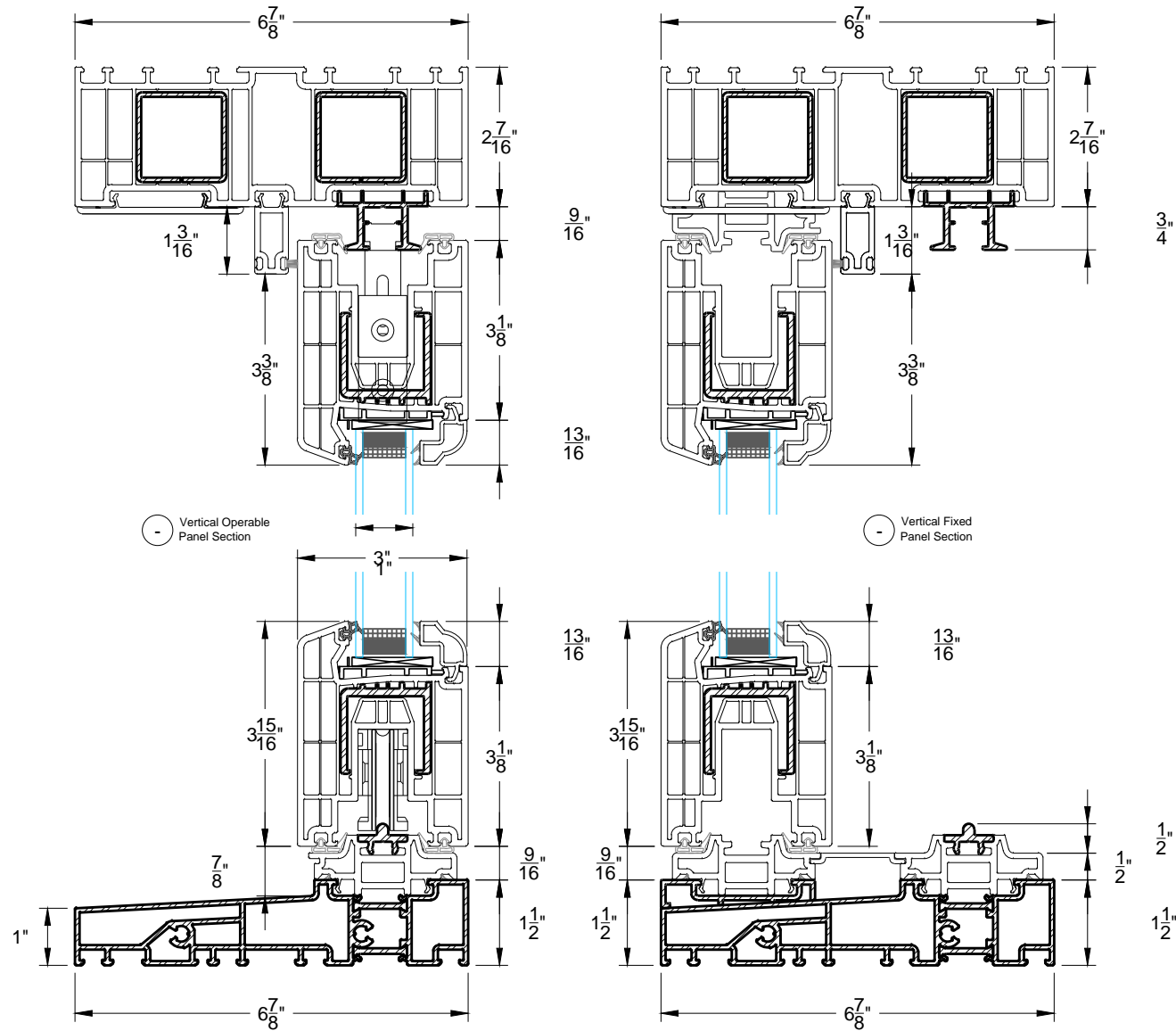
CUSTOMER APPROVAL
(SIGNATURE)

Revolution XL - Lift & Slide XO

Horizontal Section

SCALE	1:3
DATE	11-03-2018
SALES REP	-
DRAWN BY	-

ORDER NUMBER	-
DRAWING NUMBER	D1



fenestration
canada

WESTECK WINDOWS MFG INC. 2017
MEMBER IN GOOD STANDING

THESE DRAWINGS ARE WESTECK'S
CONFIDENTIAL AND PROPRIETARY
INFORMATION AND SHALL NOT BE
GIVEN TO ANY OTHER PERSON OR
COMPANY WITHOUT WESTECK'S
PRIOR WRITTEN CONSENT

REV.	DATE	DESCRIPTION
△	-	-
△	-	-
△	-	-
△	-	-
△	-	-

CUSTOMER APPROVAL
(SIGNATURE)

Revolution XL - Lift & Slide XO

Vertical Sections

SCALE	1:3
DATE	11-03-2018

SALES REP	-
DRAWN BY	-

ORDER NUMBER
-

DRAWING NUMBER
D2