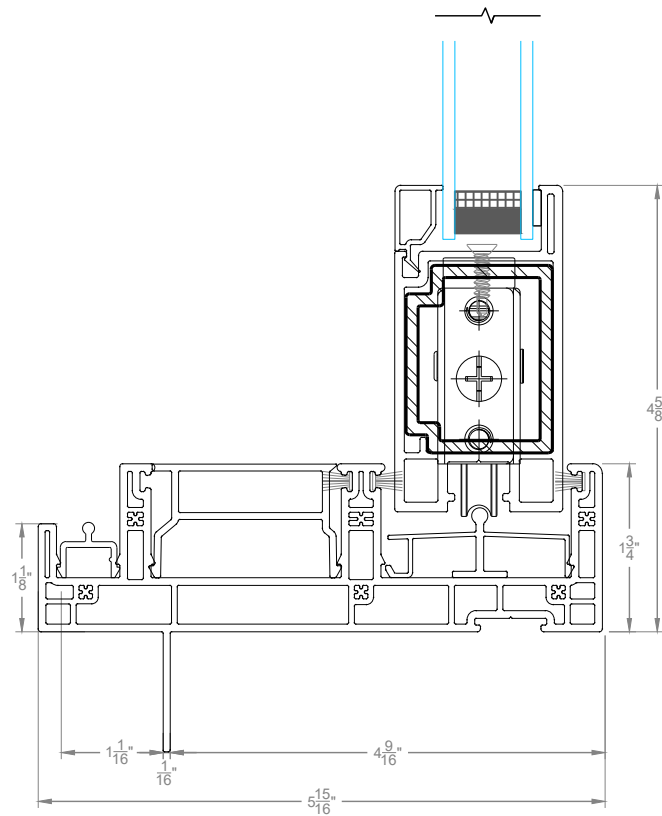


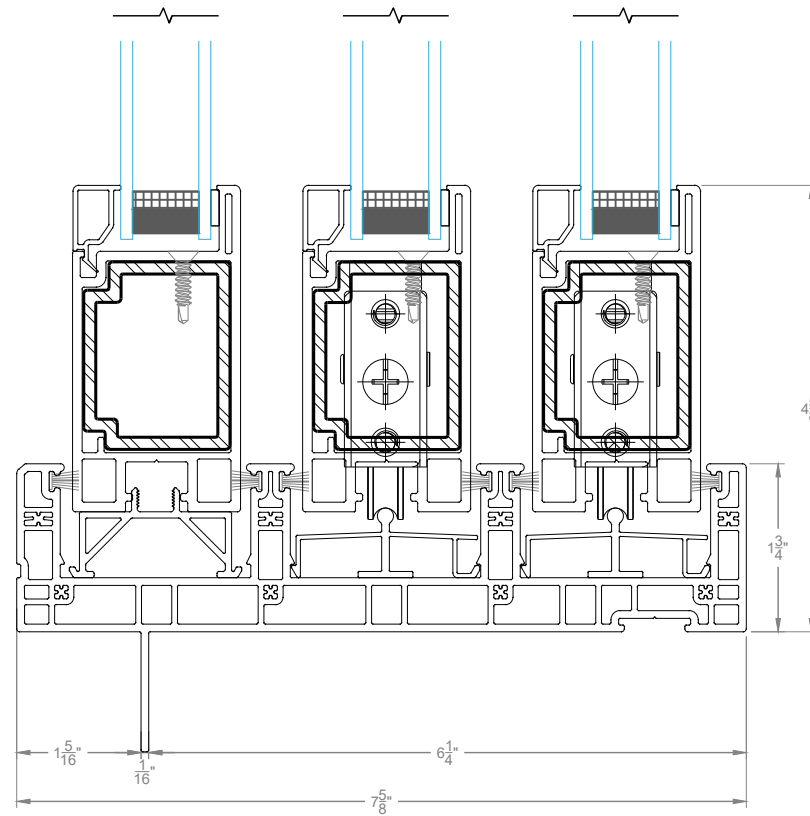
DETAILS ARE INTENDED TO SHOW A TYPICAL STRUCTURAL FASTENING METHOD OF RETAINING WINDOWS AND DOORS FOR WARRANTY PURPOSES ONLY. WATER PROOFING ENVELOPE DETAILS ARE TO BE COMPLETED BY OTHERS AND ARE NOT THE RESPONSIBILITY OF WESTECK WINDOWS & DOORS.

SEE PROJECT SPECIFIC ARCHITECTURAL AND ENVELOPE ENGINEERING DETAILS THAT PERTAIN TO WATERPROOFING SEQUENCING DETAILS. IT IS THE SOLE RESPONSIBILITY OF THE CONTRACTOR AND PRODUCT INSTALLER TO ENSURE ALL PRODUCTS ARE INSTALLED LEVEL, PLUMB AND SQUARE TO ALLOW FOR PROPER OPERATION AND FULL PRODUCT WARRANTY.

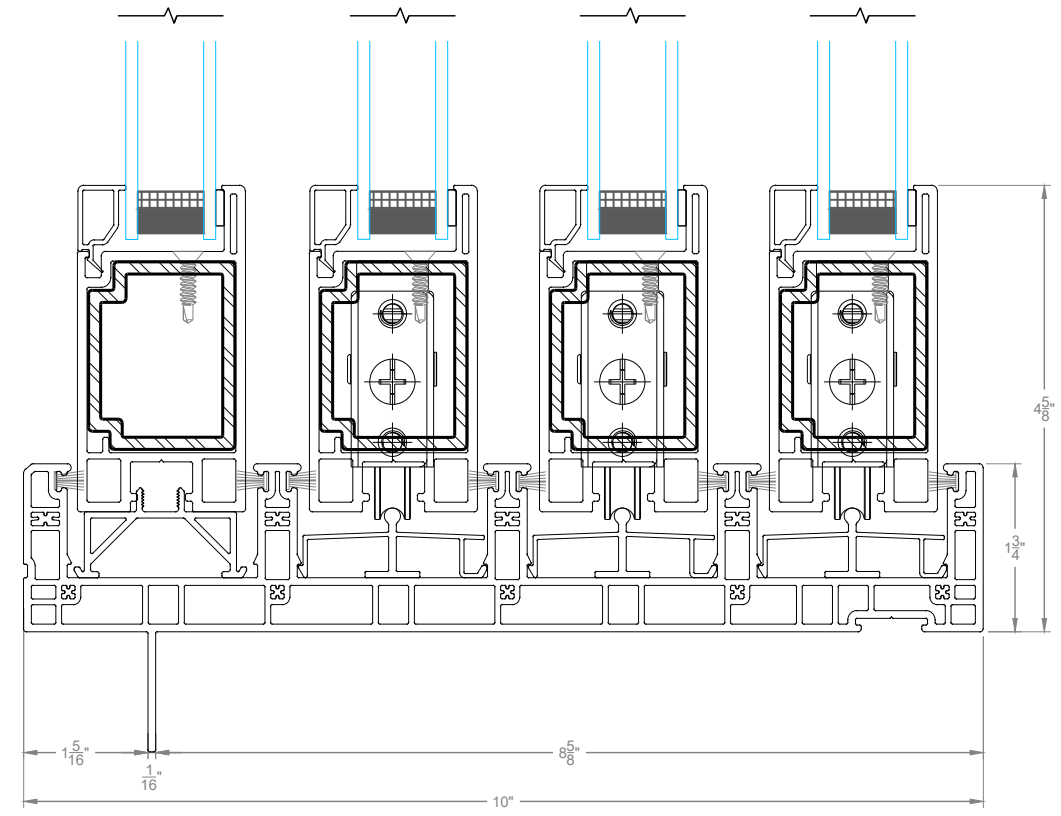
WESTECK WINDOWS & DOORS NEITHER ENDORSES NOR APPROVES OF ANY FASTENING METHOD THAT DEVIATES FROM THESE DETAILS WITHOUT WRITTEN CONSENT.



A 425 Slide - 2 Track Door Sill



B GrandView MultiSlide - 3 Track Door Sill



C GrandView MultiSlide - 4 Track Door Sill



REV.	DATE	DESCRIPTION	CHECKED	APPROVED
A	-	-	-	-
B	-	-	-	-
C	-	-	-	-
D	-	-	-	-
E	-	-	-	-

425 Slide & GrandView MultiSlide	
Sill Sections	
Interim Sill Cover	

SCALE	1:2.5
DATE	2020-11-04
DRAWN BY	DougT
SALES REP	-

DRAWING NUMBER	D1
----------------	----