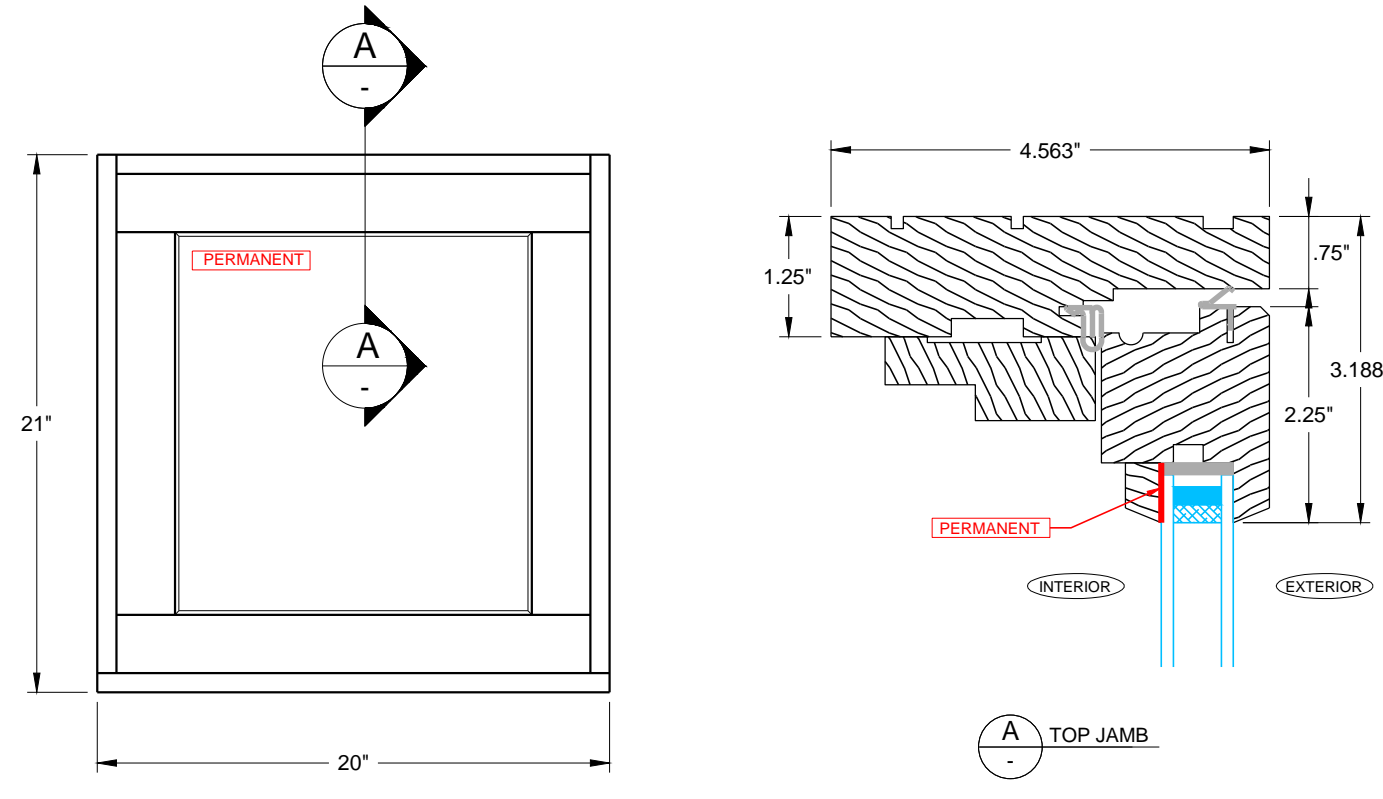
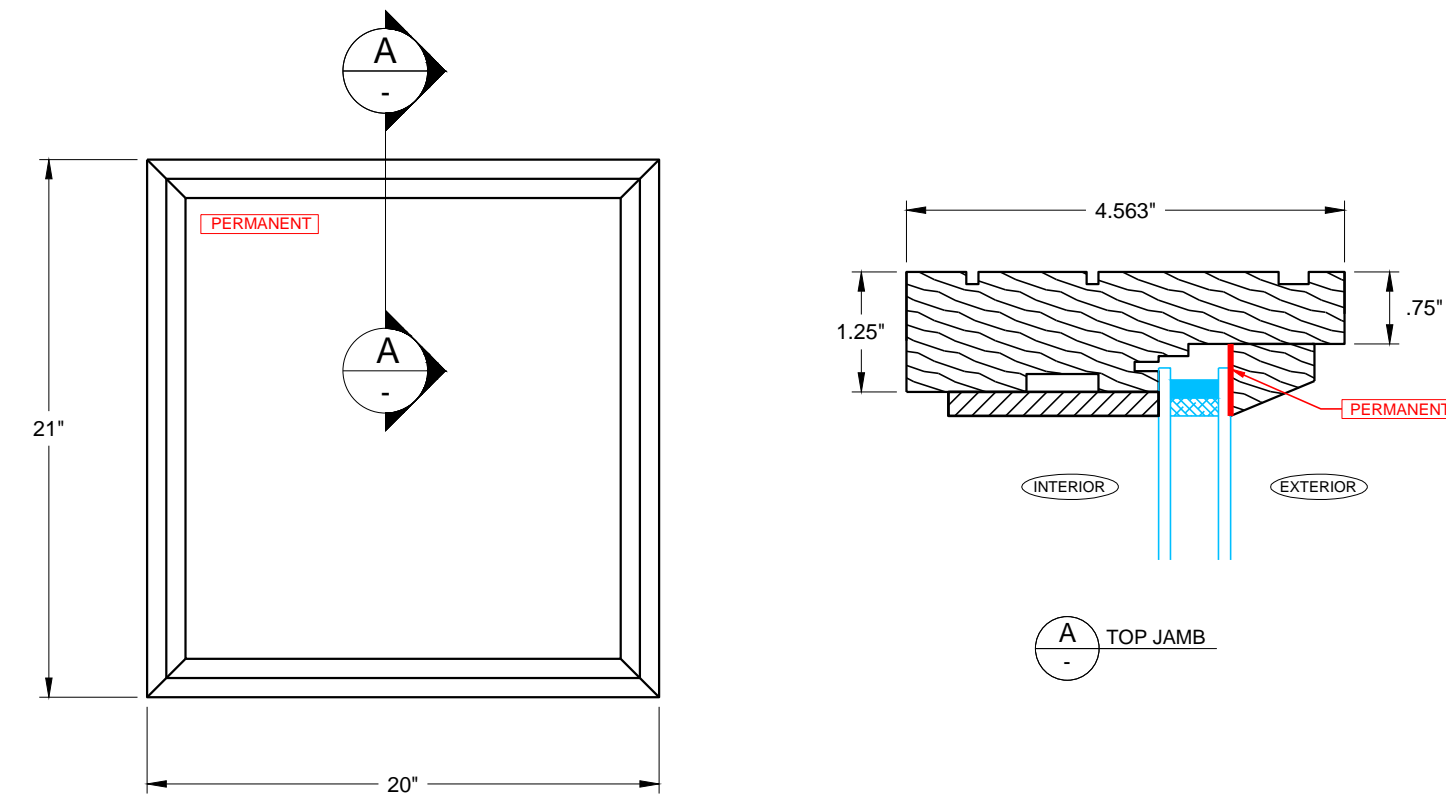


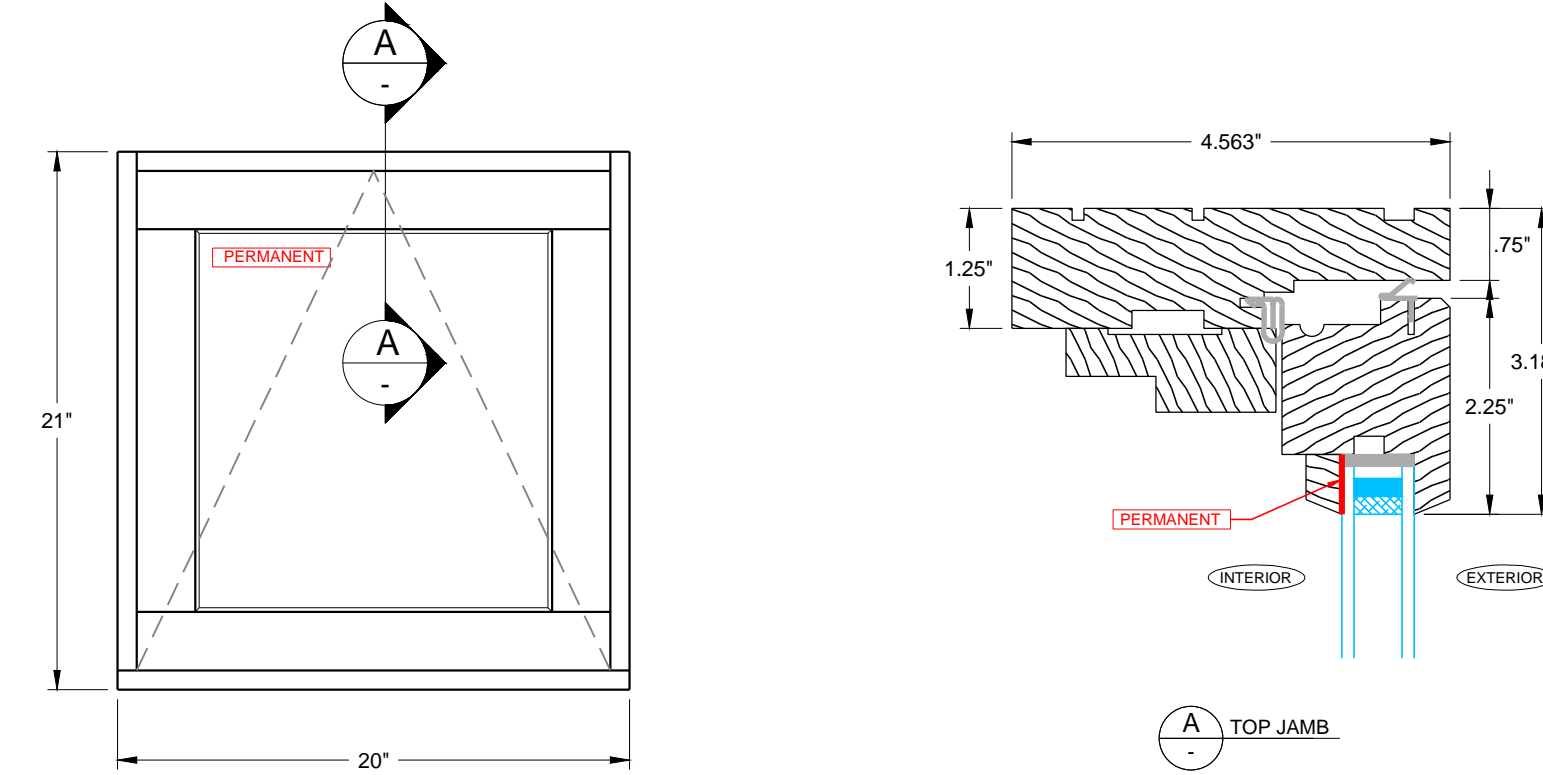
6000 Series Fixed NFRC PERMANENT LABEL LOCATION



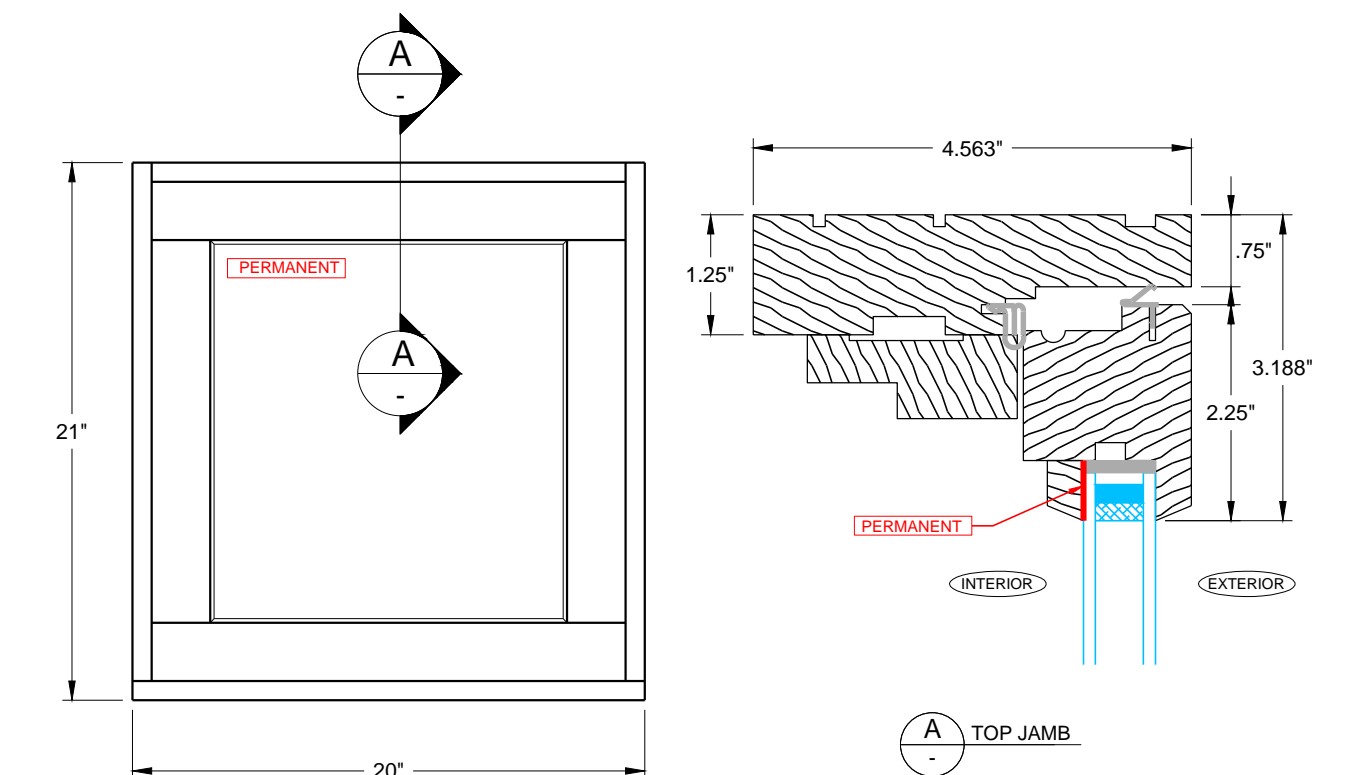
6000 Series Picture NFRC PERMANENT LABEL LOCATION



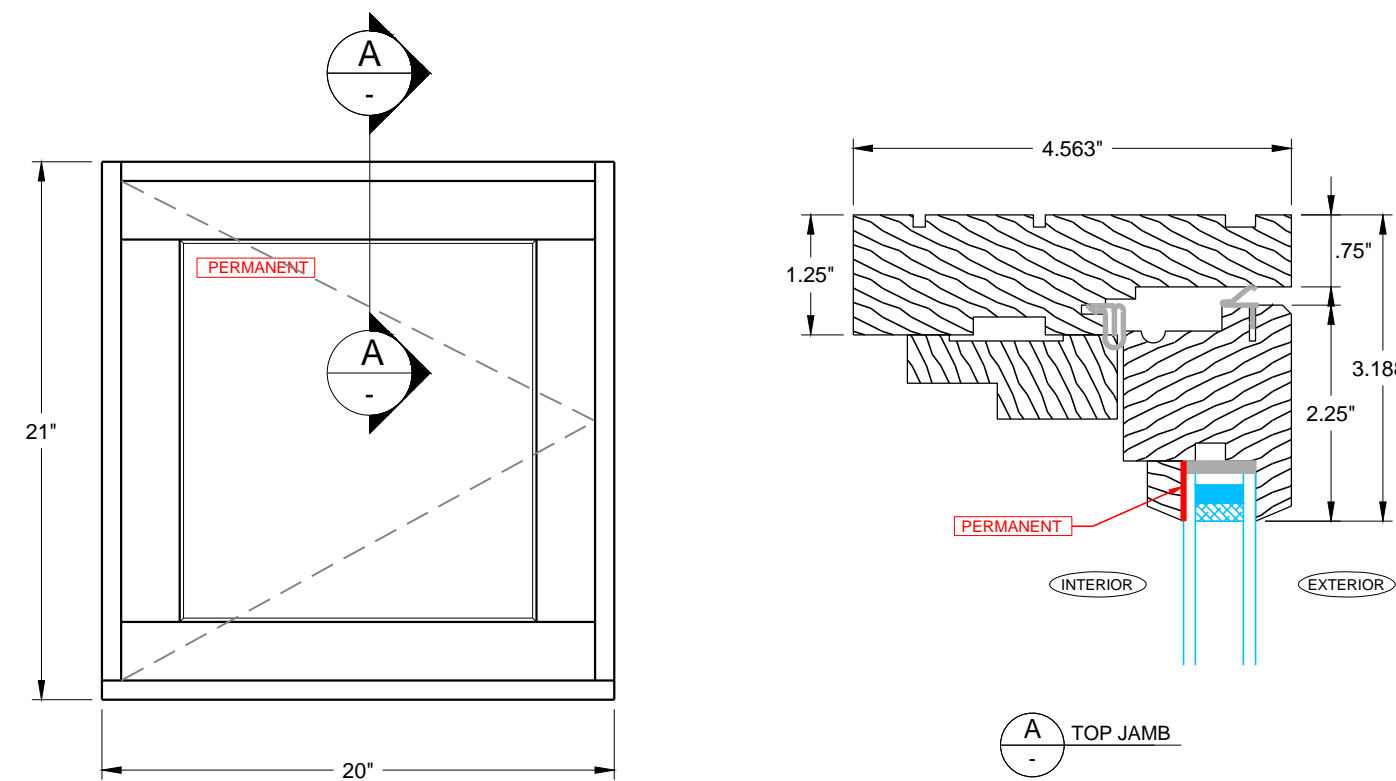
6000 Series Awning NFRC PERMANENT LABEL LOCATION



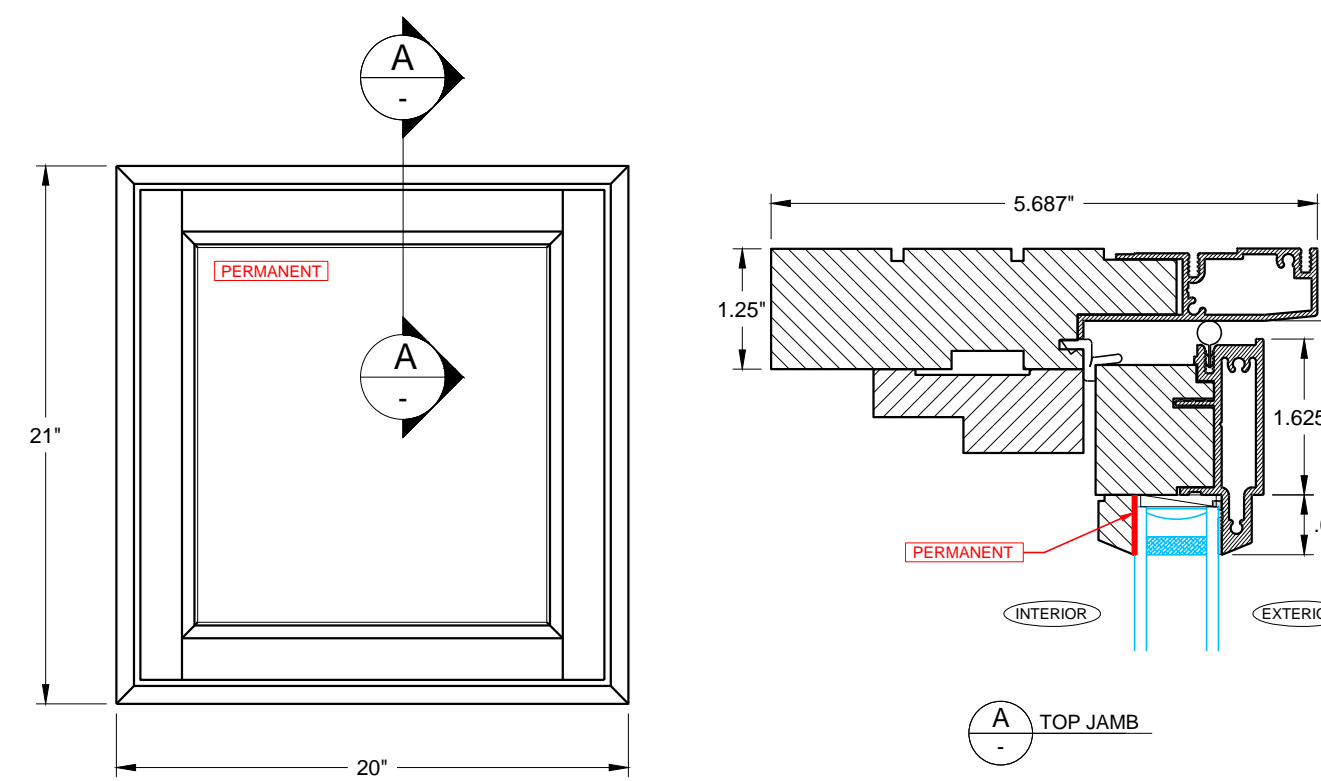
6000 Series False Sash NFRC PERMANENT LABEL LOCATION



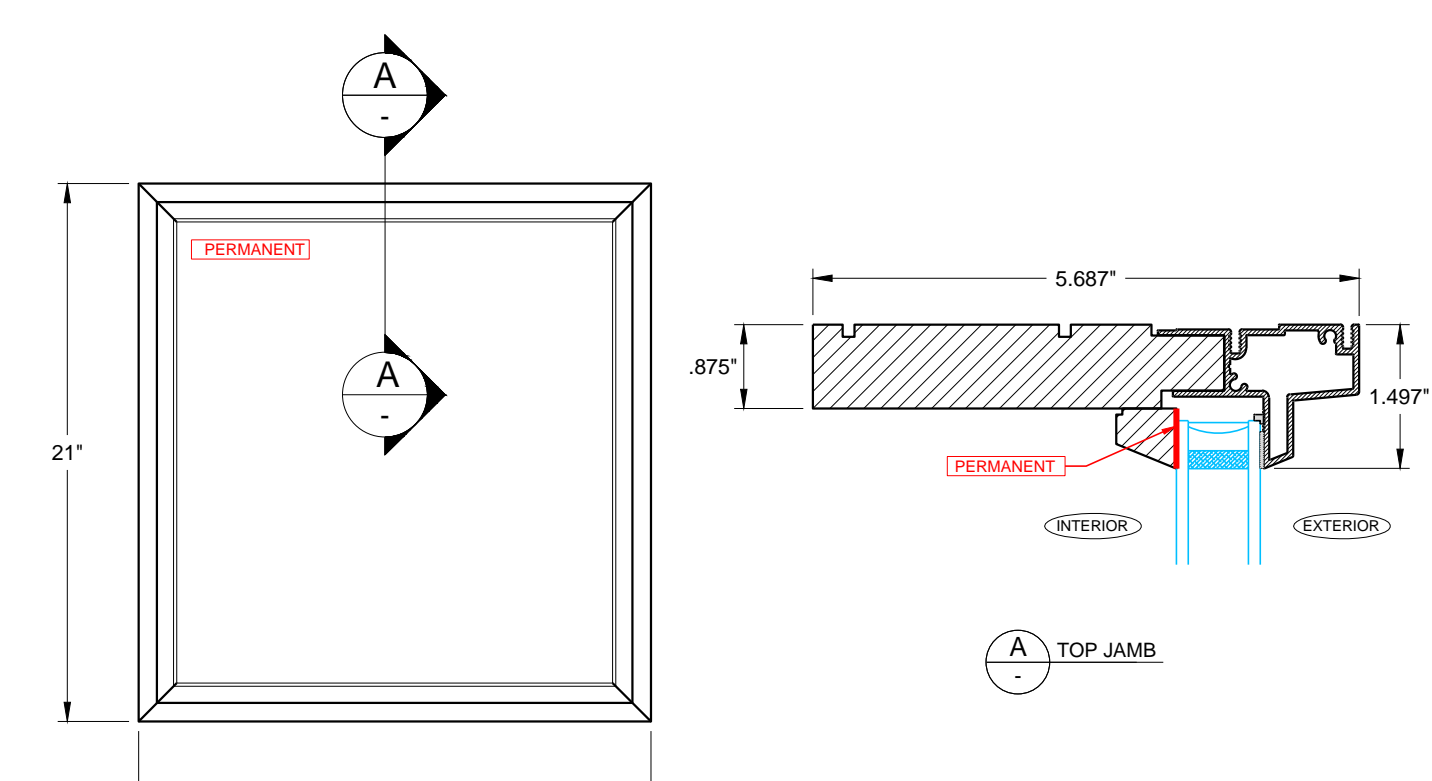
6000 Series Casement NFRC PERMANENT LABEL LOCATION



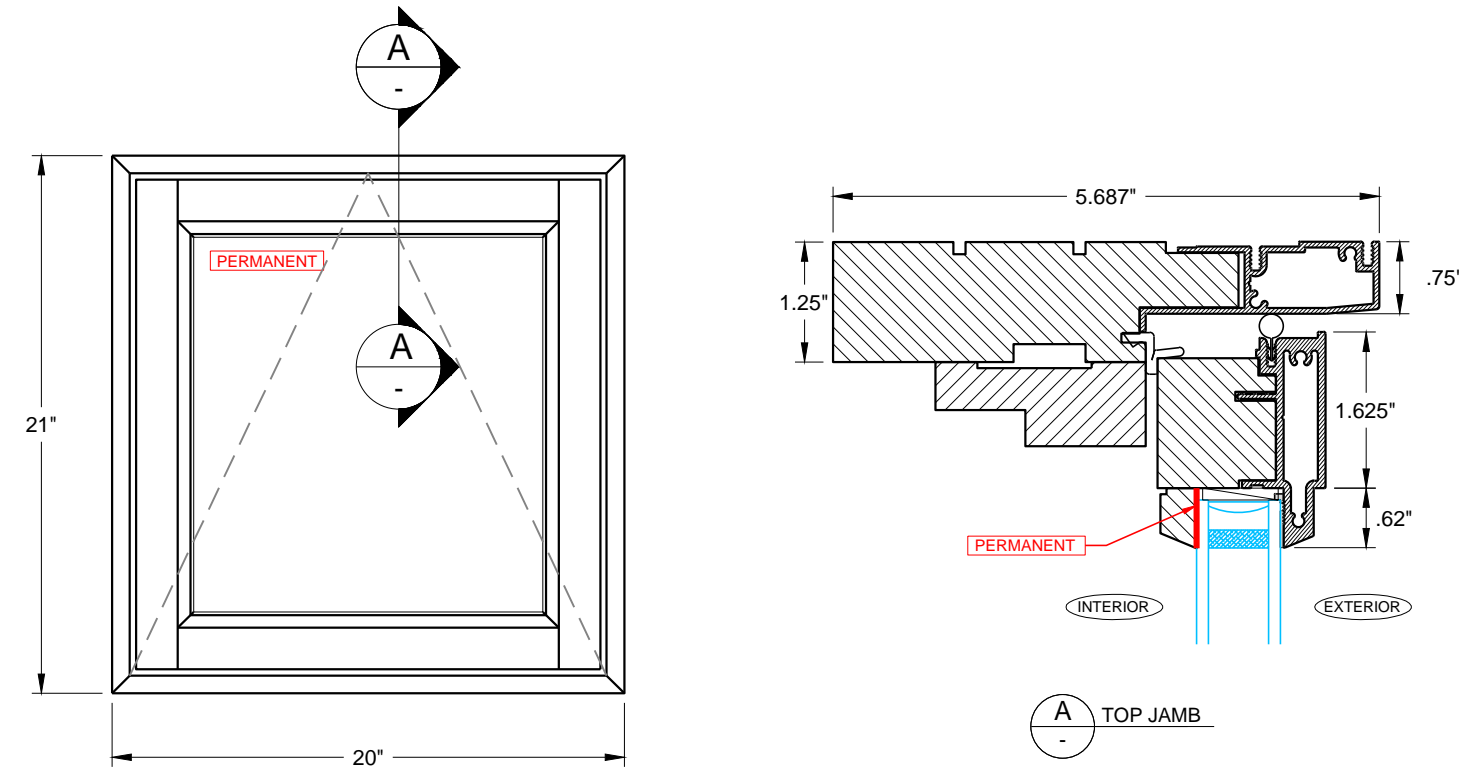
7000 Series Fixed NFRC PERMANENT LABEL LOCATION



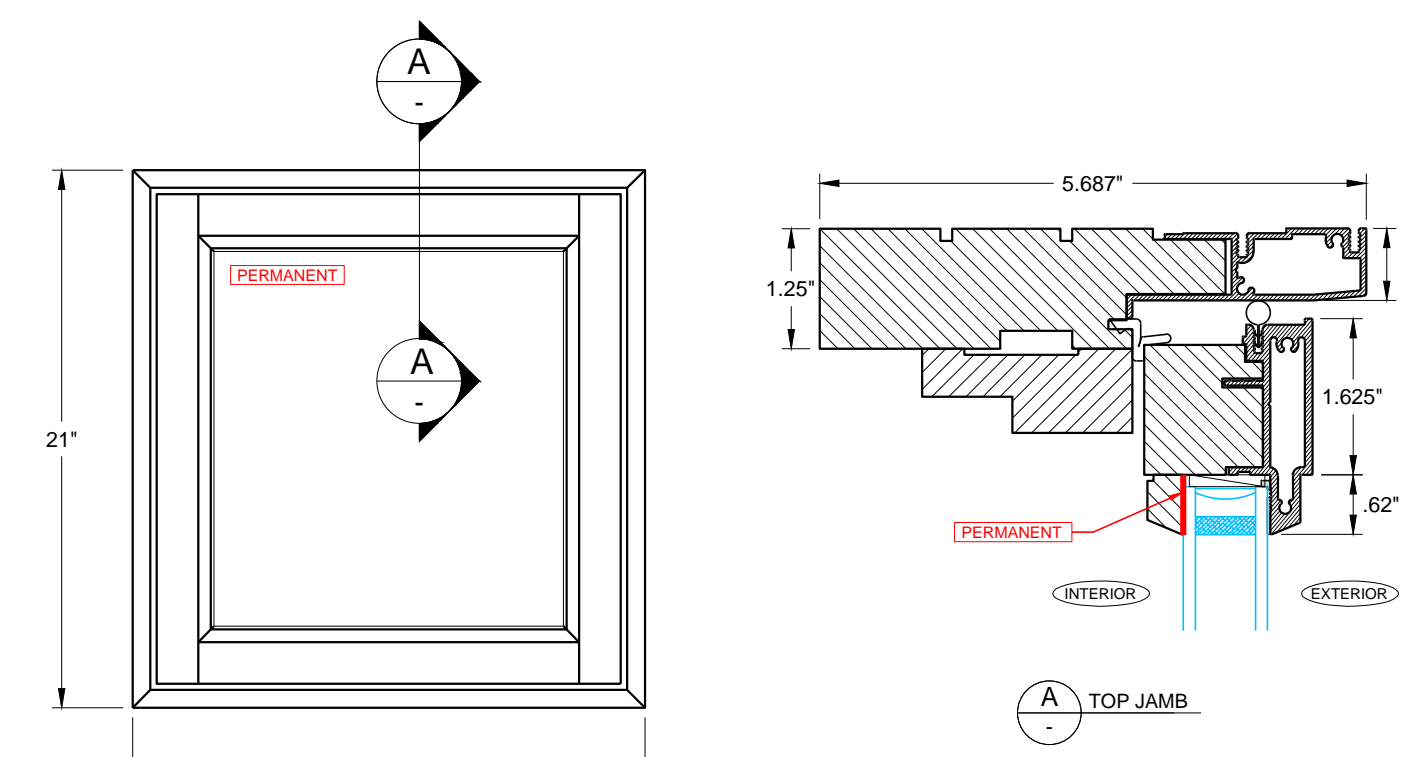
7000 Series Picture NFRC PERMANENT LABEL LOCATION



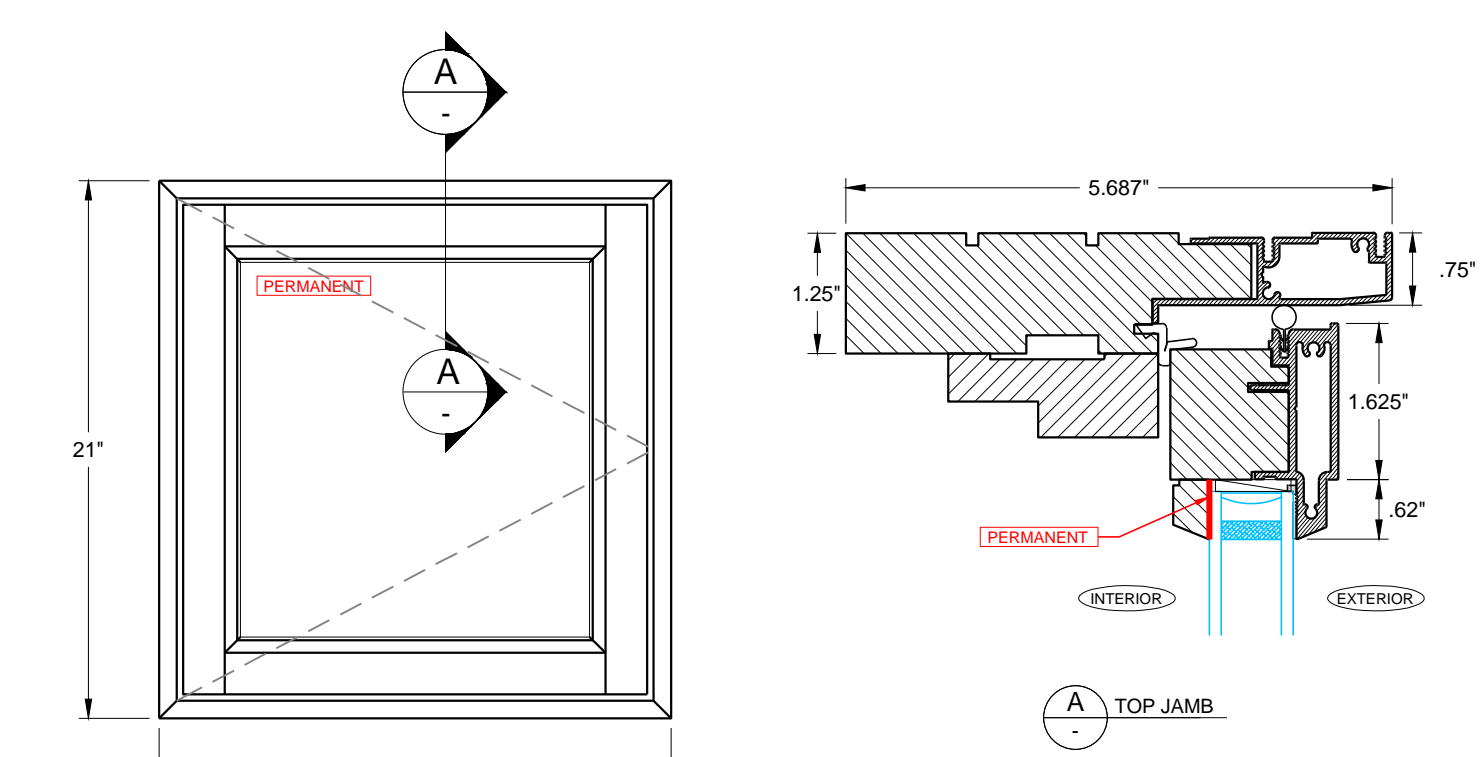
7000 Series Awning NFRC PERMANENT LABEL LOCATION



7000 Series False Sash NFRC PERMANENT LABEL LOCATION



7000 Series Casement NFRC PERMANENT LABEL LOCATION



FILE PATH: F:_DoorDept\Drafting standard Operating ProcedureR&D\T0.75_LAST SAVED BY: MATTR_#####.#####



Westeck Windows
8104 Evans Road
Chilliwack, BC, V2R 5R8
Phone: 1 (877) 606 1166
www.westeckwindows.com

DATE	2017-4-5
DRAWN	MATTR
SALES REP	Rachel Wille
SCALE	SCALE TO FIT
REVISION	A

PROJECT Wood and Metal Clad Windows NFRC Labeling	
QUOTE/ORDER NUMBER -	DRAWING NUMBER POSTER SHEET