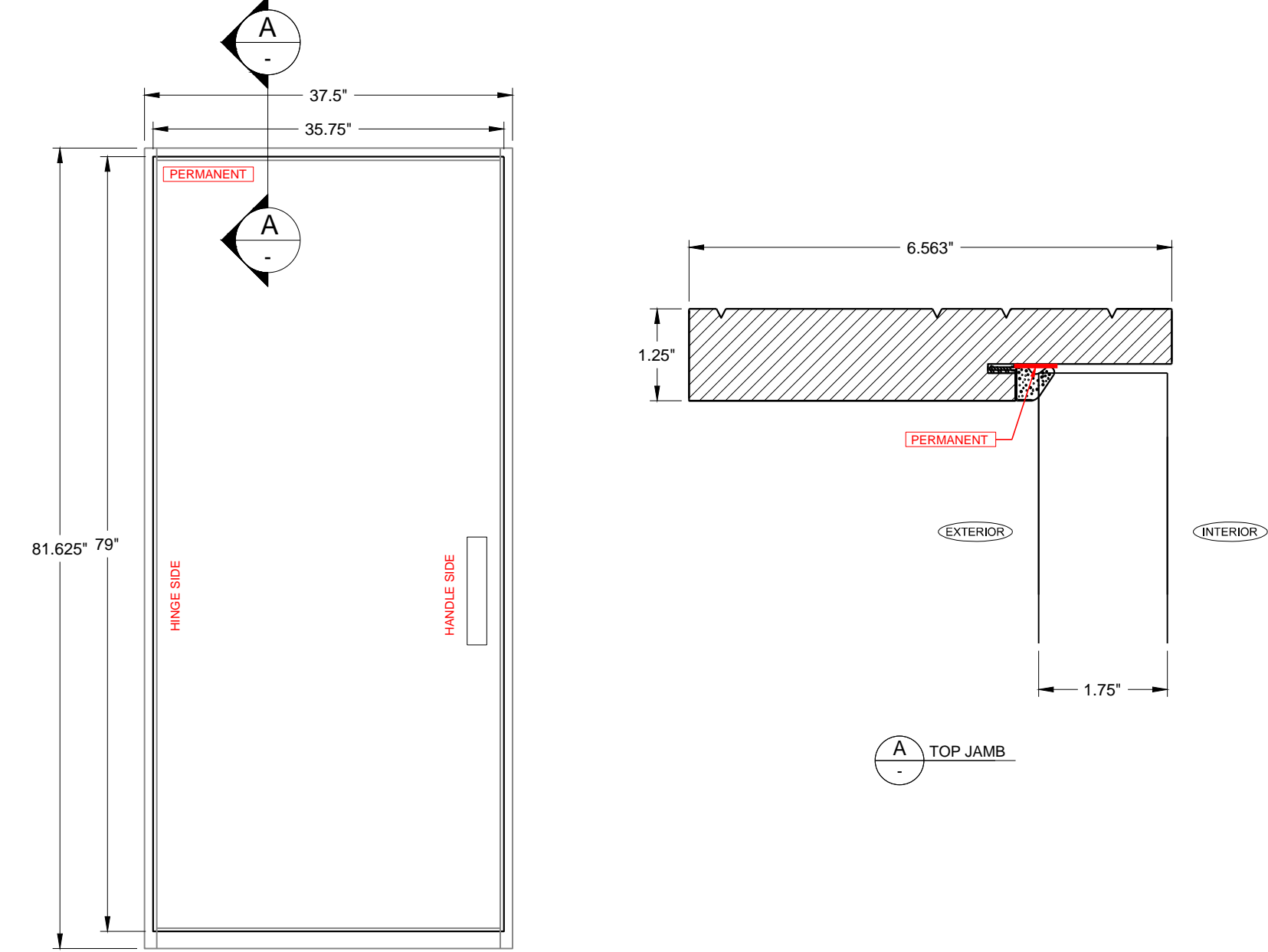
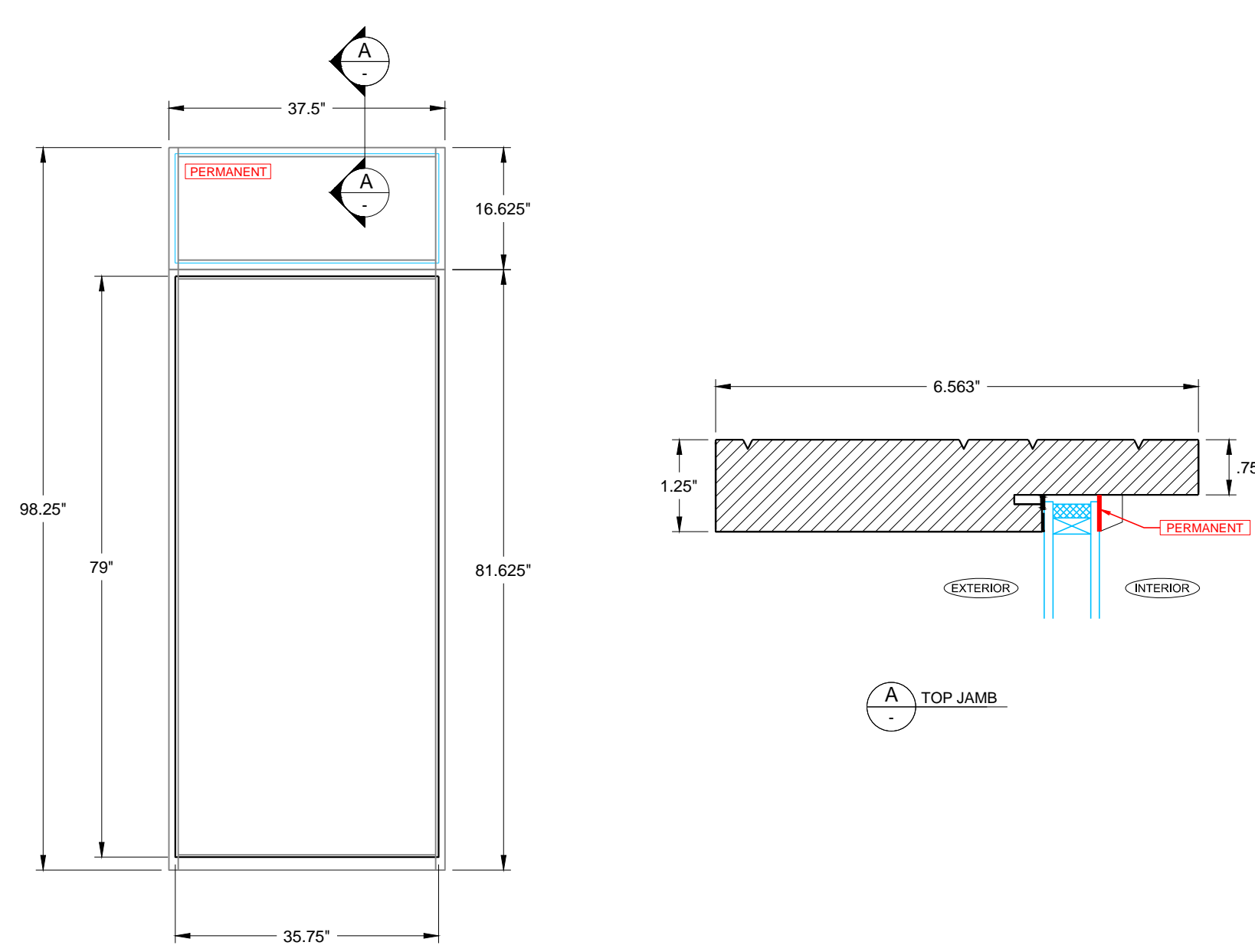


FILE PATH: F:\DoorDept\Drafting standard Operating ProcedureR&D\T0.75 , LAST SAVED BY: MATTR, #####

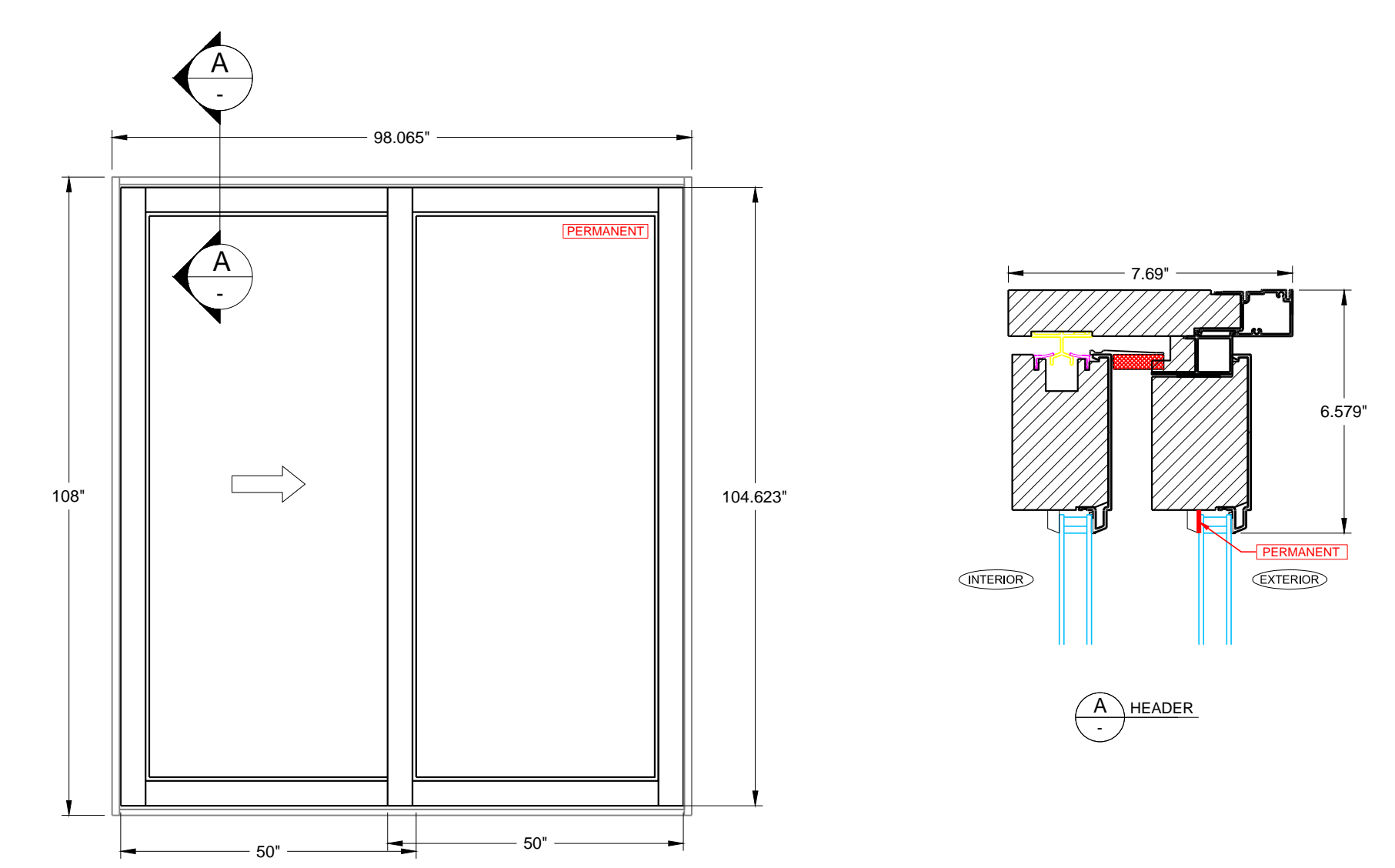
Swing Door NFRC PERMANENT LABEL LOCATION



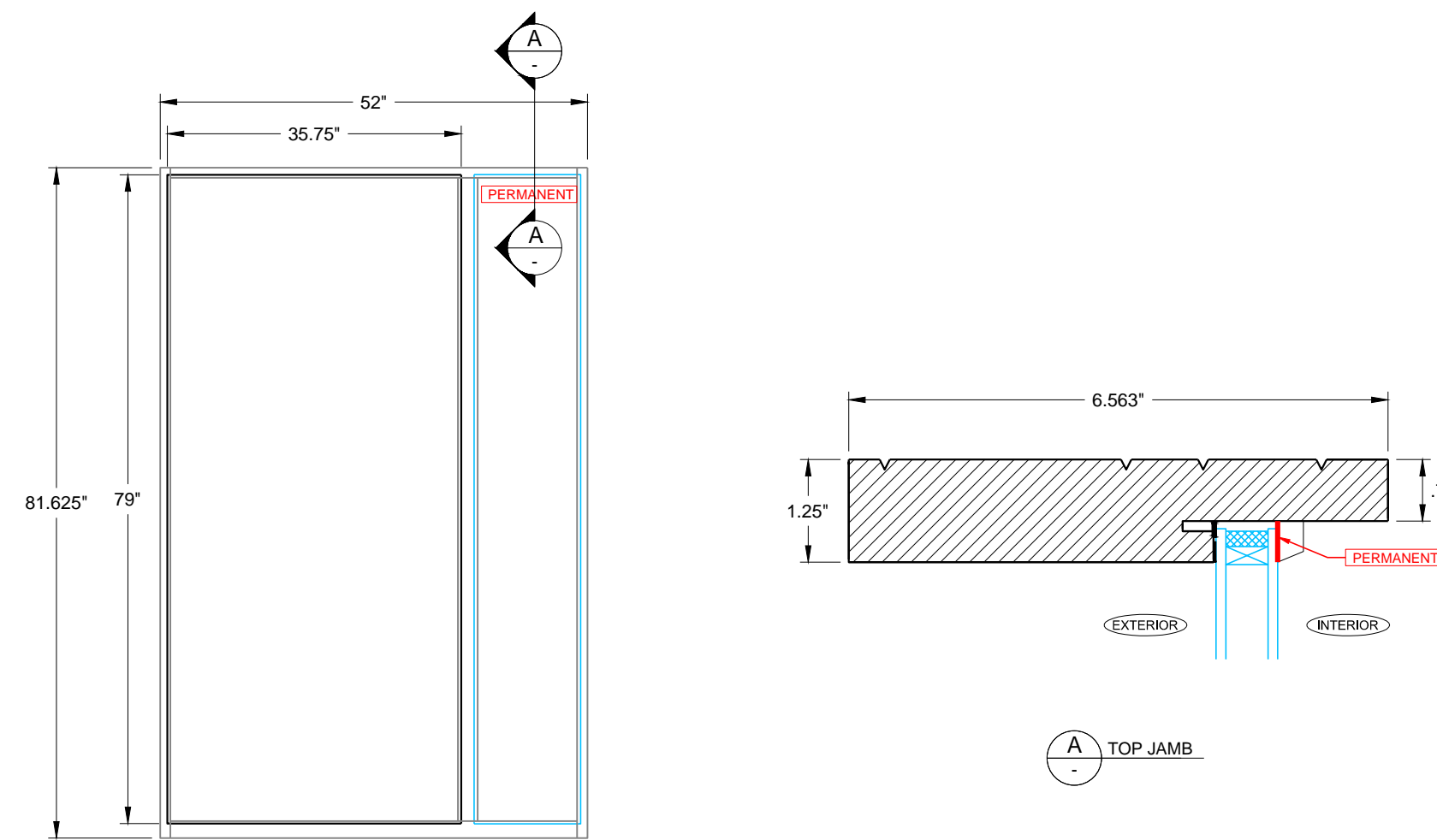
Swing Door with Transom NFRC PERMANENT LABEL LOCATION



Metal Clad & Wood Lift & Slide Patio Door NFRC PERMANENT LABEL LOCATION



Swing Door with Sidelite NFRC PERMANENT LABEL LOCATION



Westeck Windows
 8104 Evans Road
 Chilliwack, BC, V2R 5R8
 Phone: 1 (877) 606 1166
 www.westeckwindows.com

DATE	2017-4-5
DRAWN	MATTR
SALES REP	Rachel Wille
SCALE	SCALE TO FIT
REVISION	A

PROJECT Wood and Metal Clad Doors NFRC Labeling	
QUOTE/ORDER NUMBER -	DRAWING NUMBER POSTER SHEET