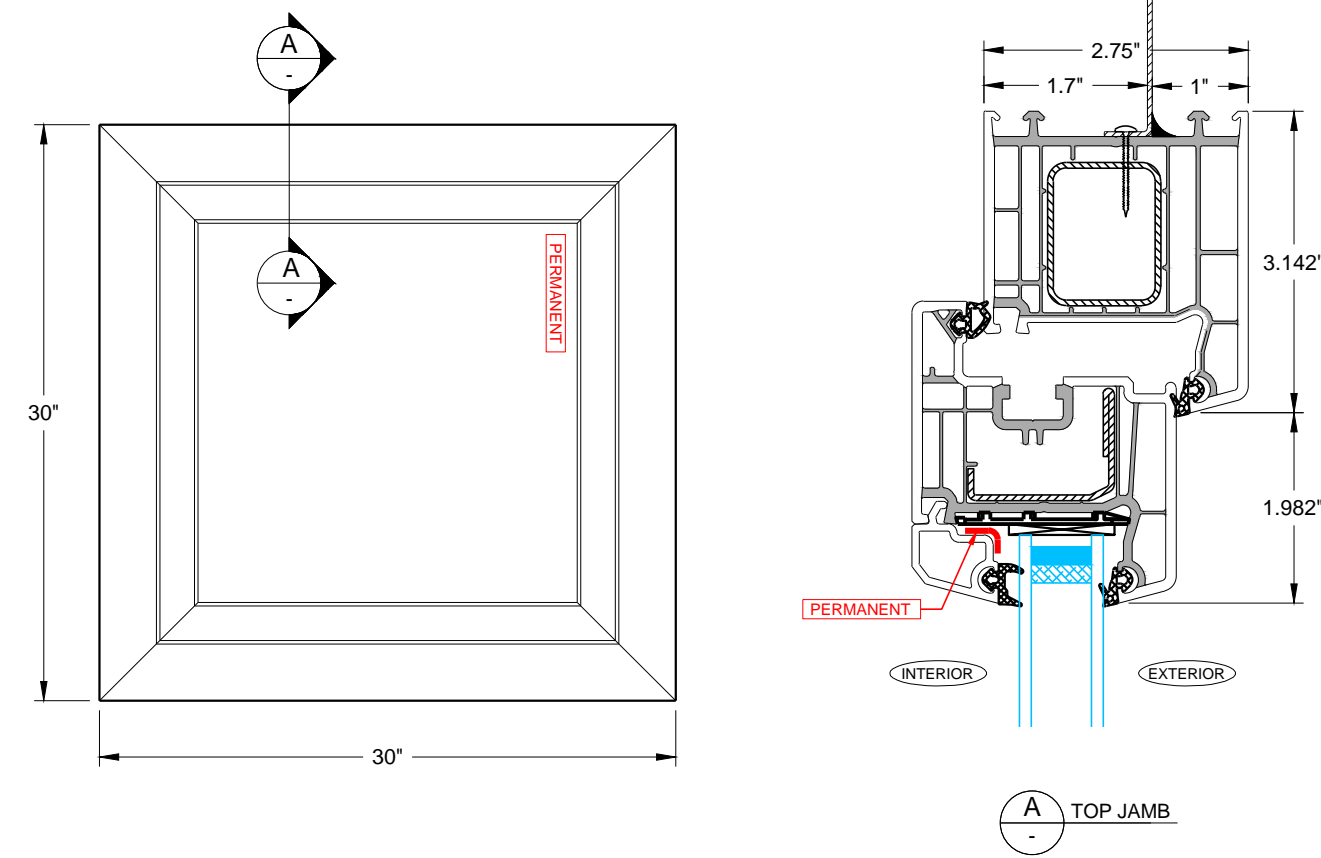
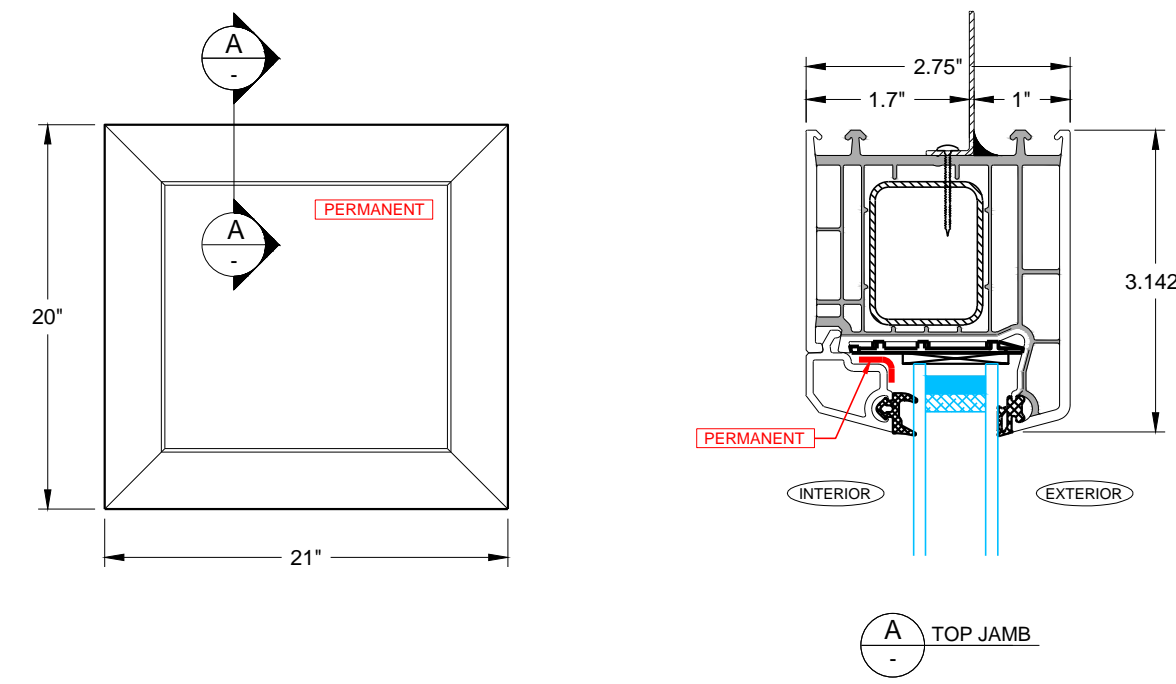


FILE PATH: F:_DoorDept\Drafting\standard Operating ProcedureR&D\T0.75_1_LAST SAVED BY: MATTR_#####.#####.#####

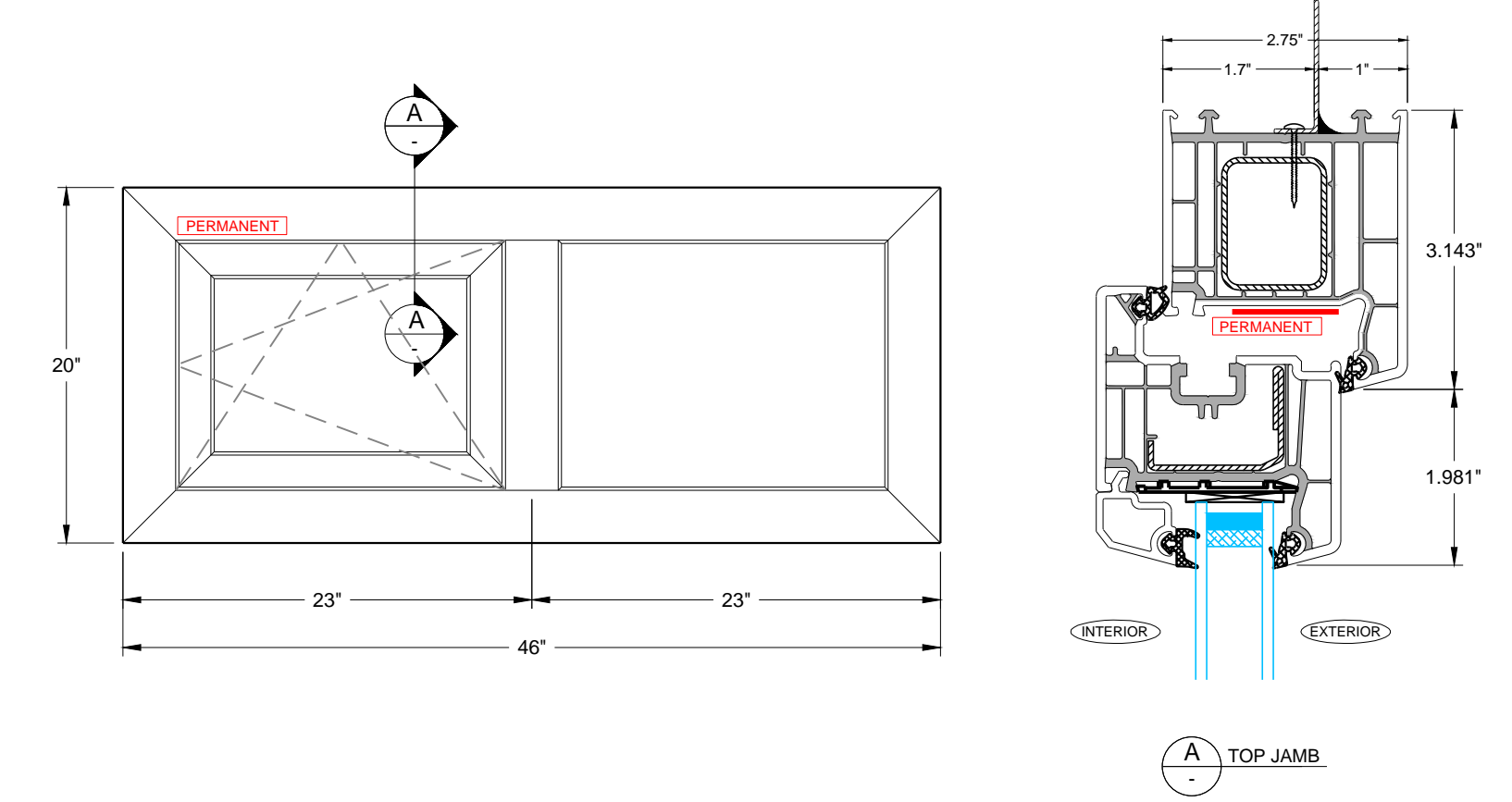
Euroteck Fixed NFRC PERMANENT LABEL LOCATION



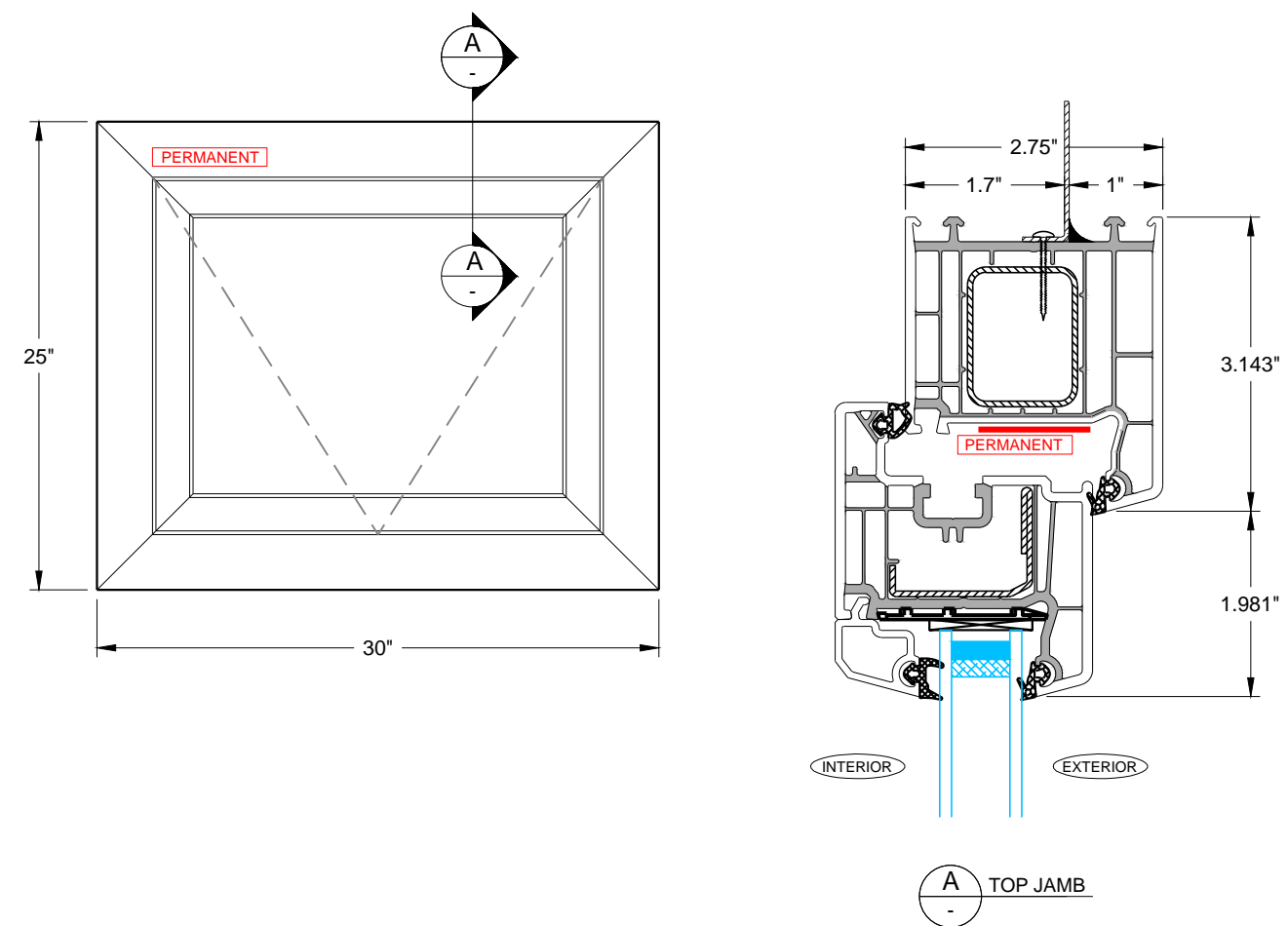
Euroteck Picture NFRC PERMANENT LABEL LOCATION



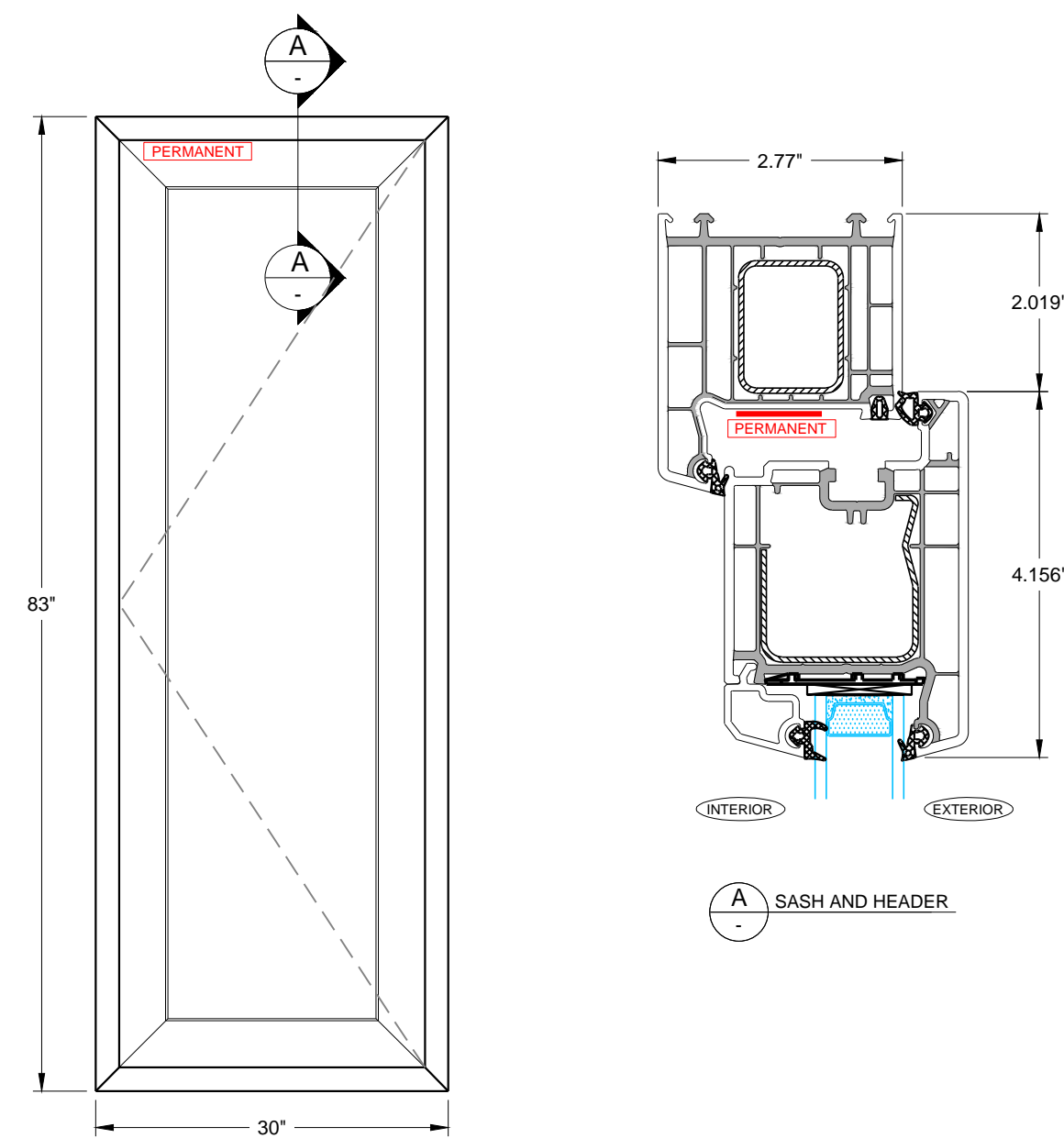
Euroteck Tilt & Turn NFRC PERMANENT LABEL LOCATION



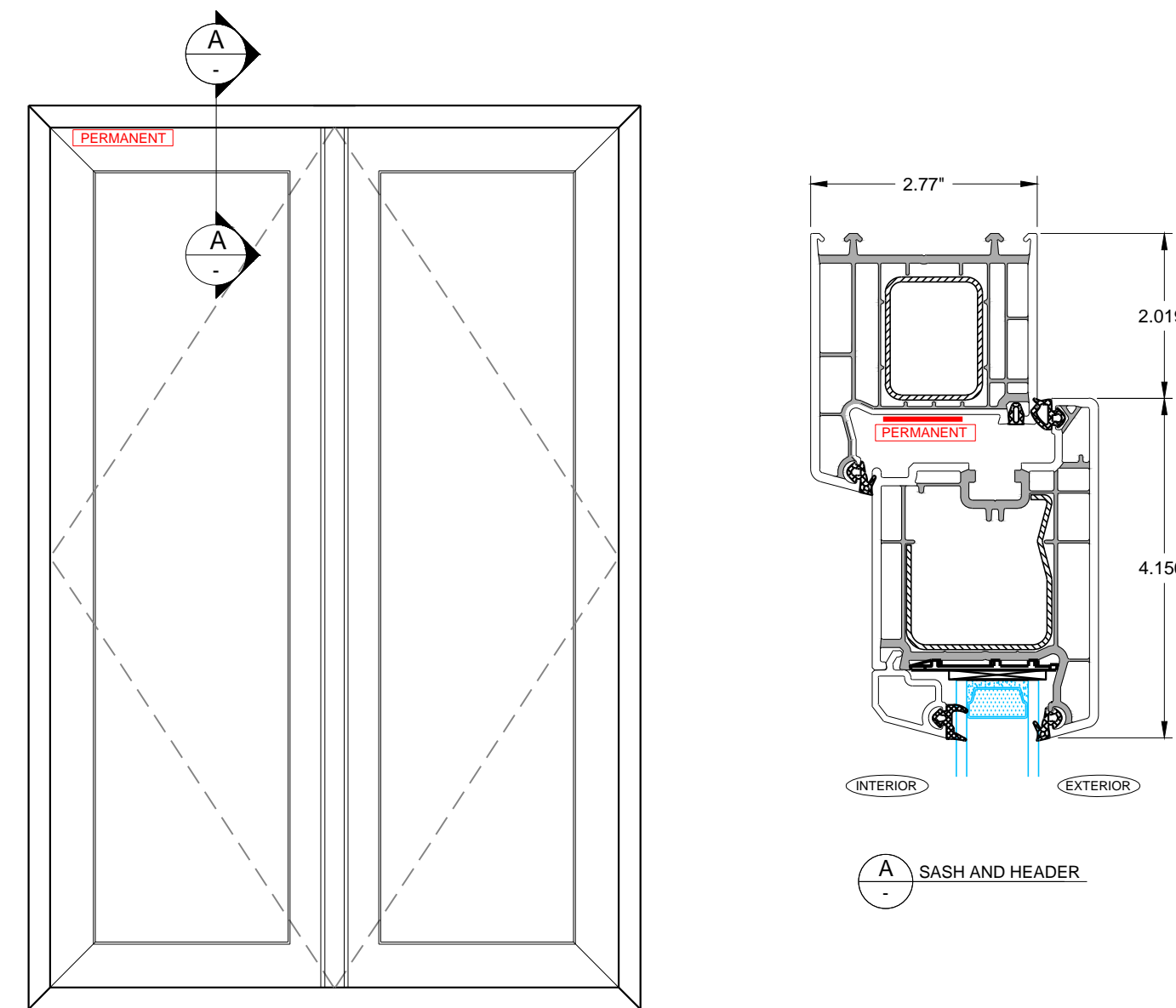
Euroteck Tilt Only NFRC PERMANENT LABEL LOCATION



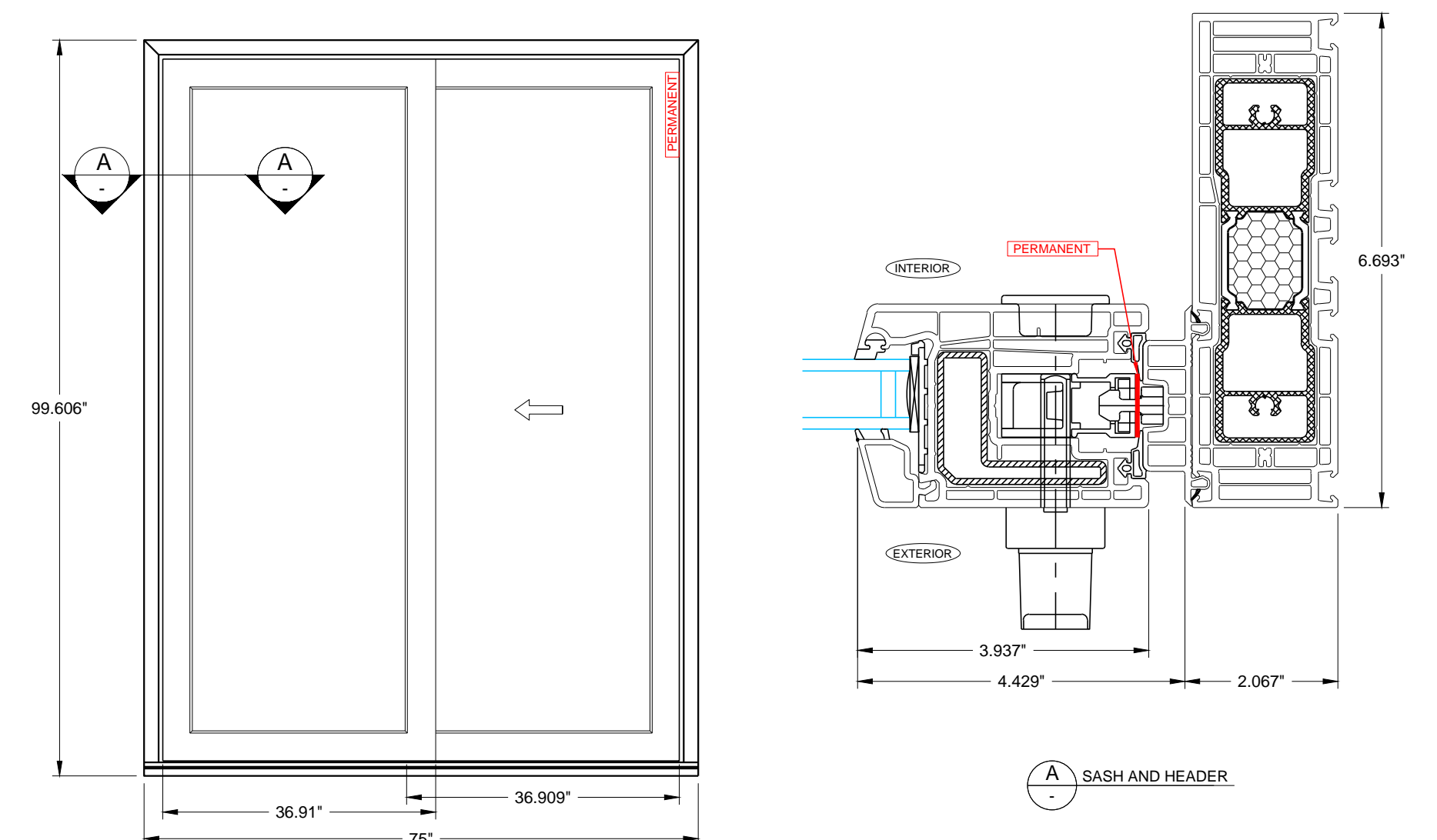
Euroteck Swing Door NFRC PERMANENT LABEL LOCATION



Euroteck Double Door NFRC PERMANENT LABEL LOCATION



Euroteck Lift & Slide NFRC PERMANENT LABEL LOCATION



		Westeck Windows 8104 Evans Road Chilliwack, BC, V2R 5R8 Phone: 1 (877) 606 1166 www.westeckwindows.com	
		DATE: 2017-4-5 DRAWN: MATTR SALES REP: Rachel Wille SCALE: SCALE TO FIT REVISION: A	PROJECT: Euroteck Product NFRC Labeling QUOTE/ORDER NUMBER: - DRAWING NUMBER: POSTER SHEET

1/1/2017