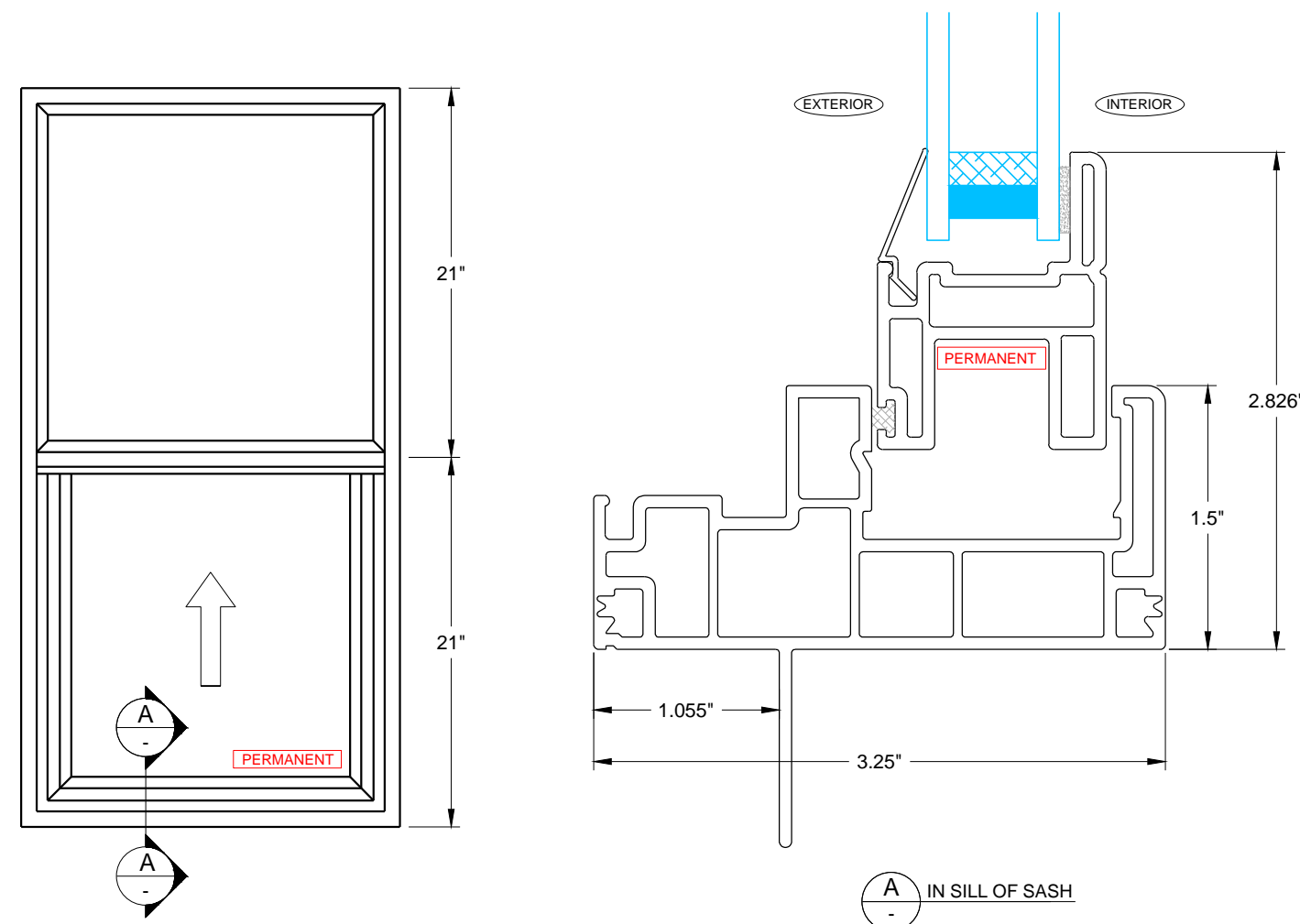
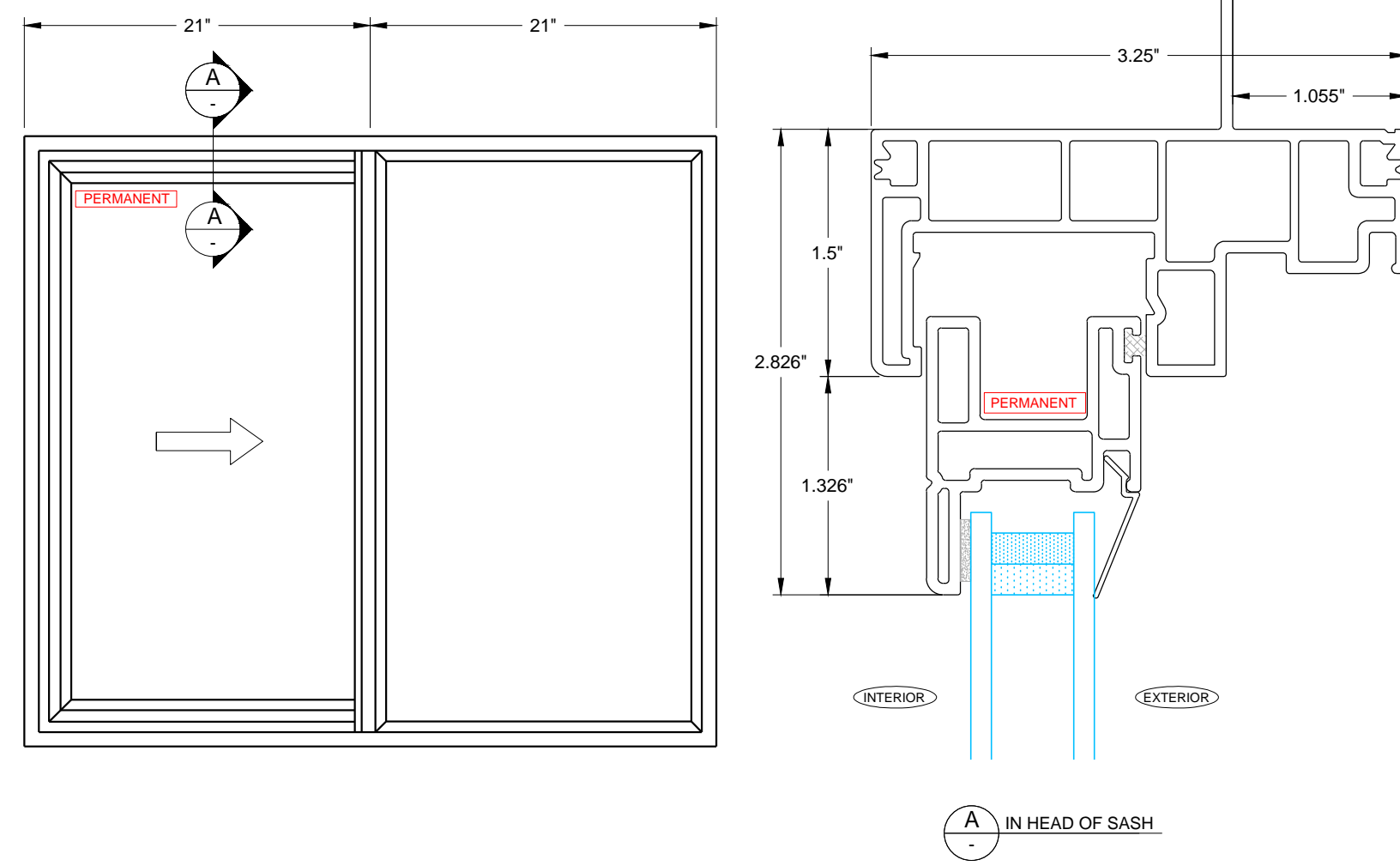


FILE PATH: F:\DoorDept\Drafting standard Operating ProcedureR&D\T0.75\_LAST SAVED BY: MATTR. #####

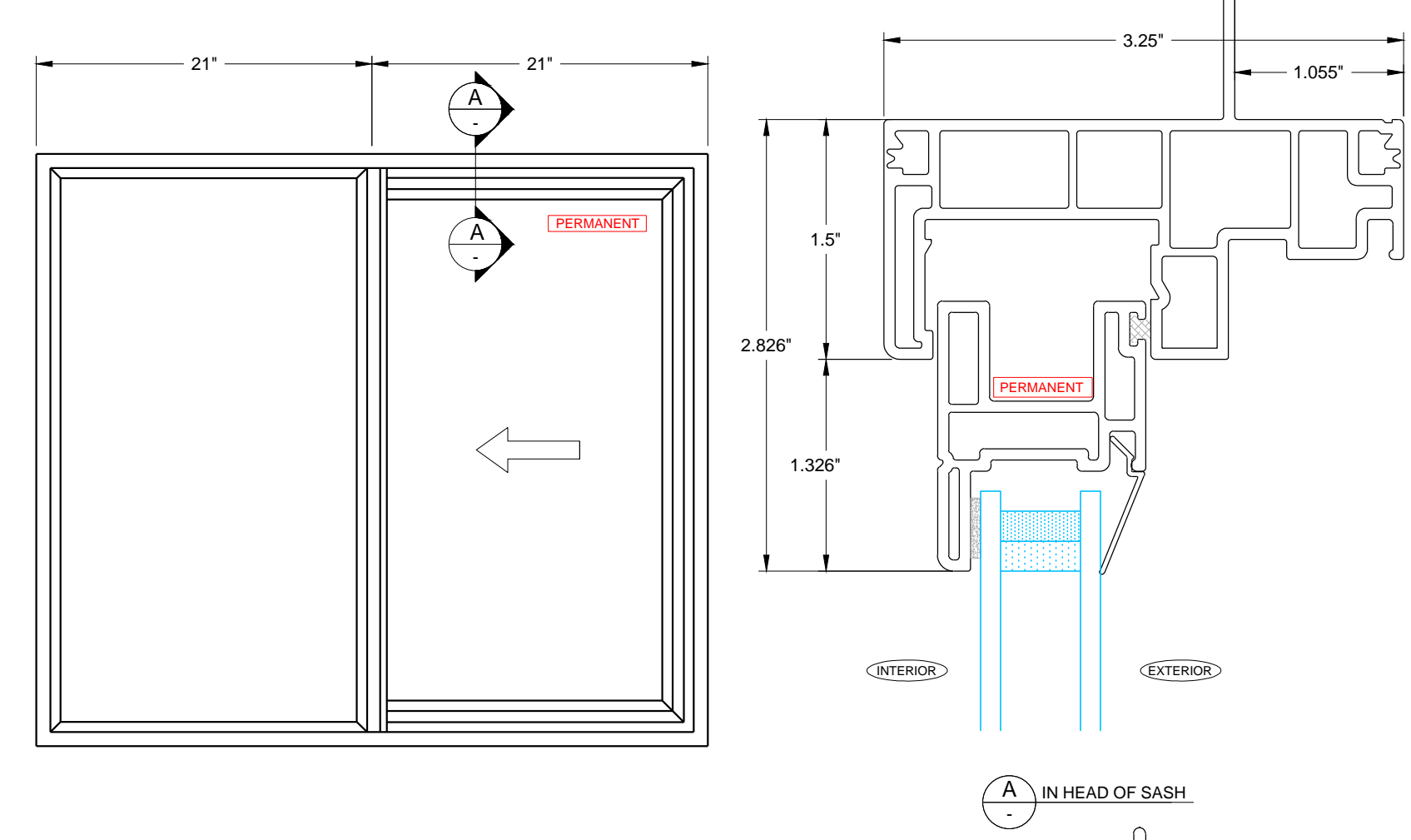
**2000 Series** NFRC PERMANENT LABEL LOCATION



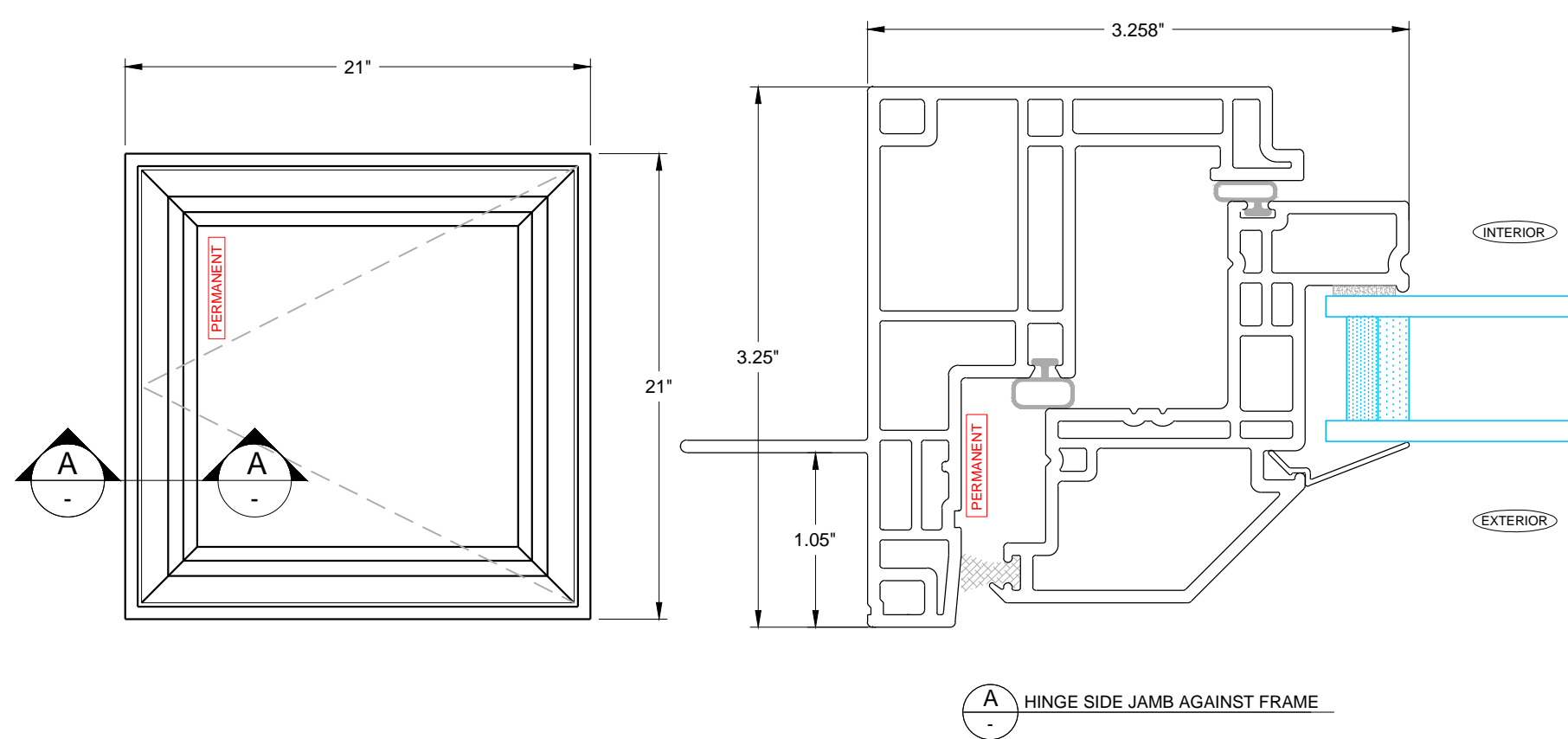
**2000 Series** NFRC PERMANENT LABEL LOCATION



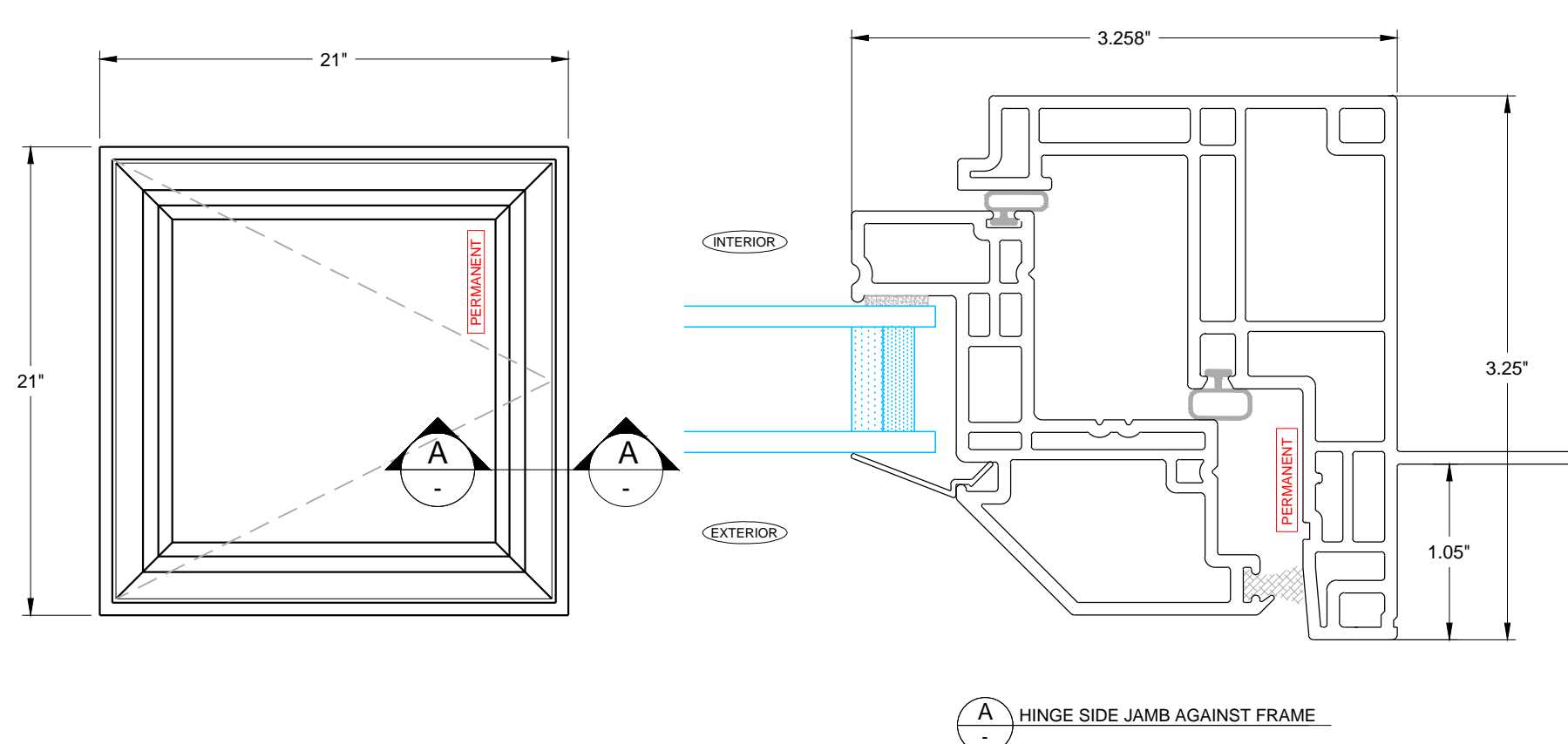
**2000 Series** NFRC PERMANENT LABEL LOCATION



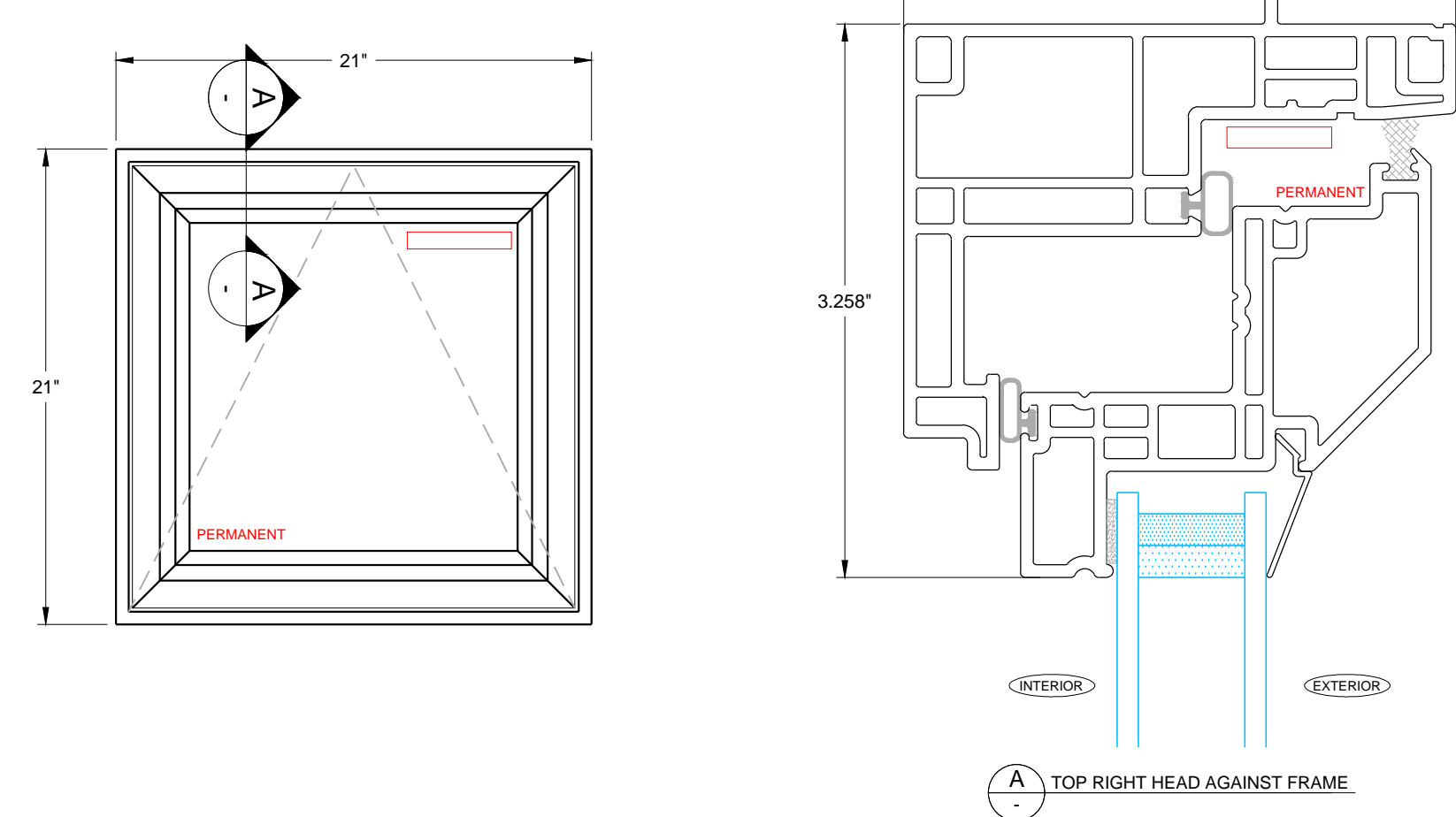
**4000 Series** NFRC PERMANENT LABEL LOCATION



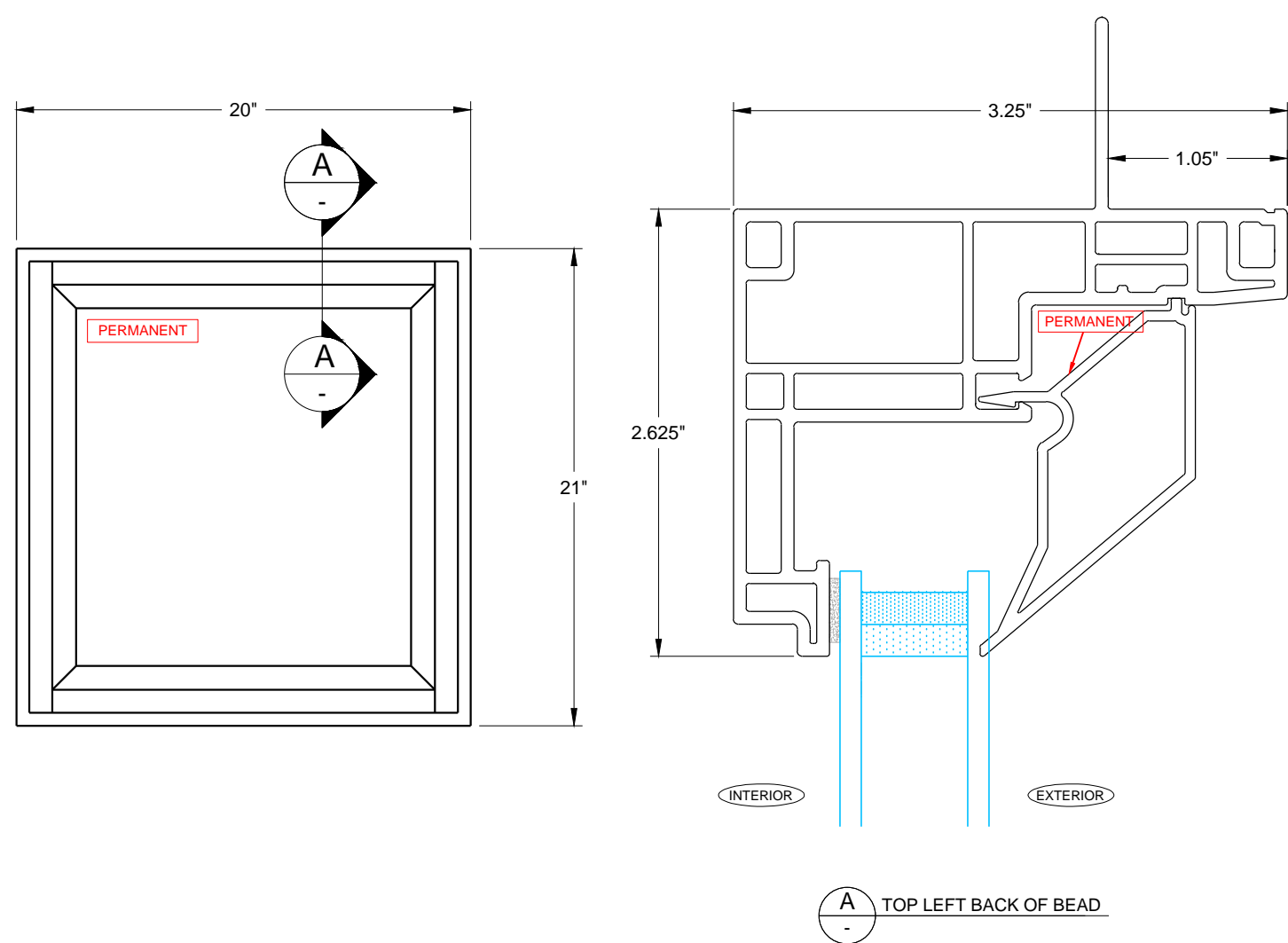
**4000 Series** NFRC PERMANENT LABEL LOCATION



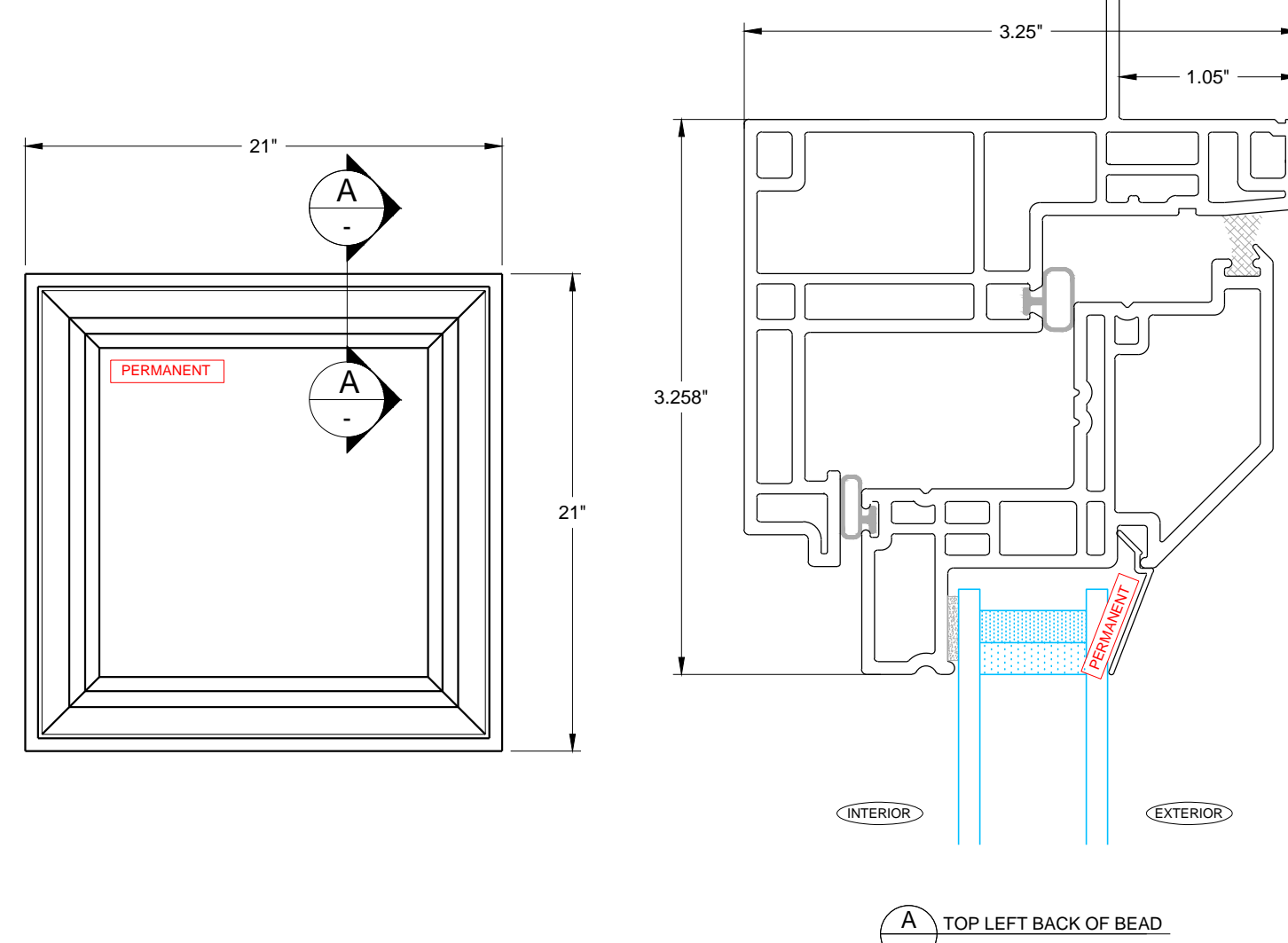
**4000 Series** NFRC PERMANENT LABEL LOCATION



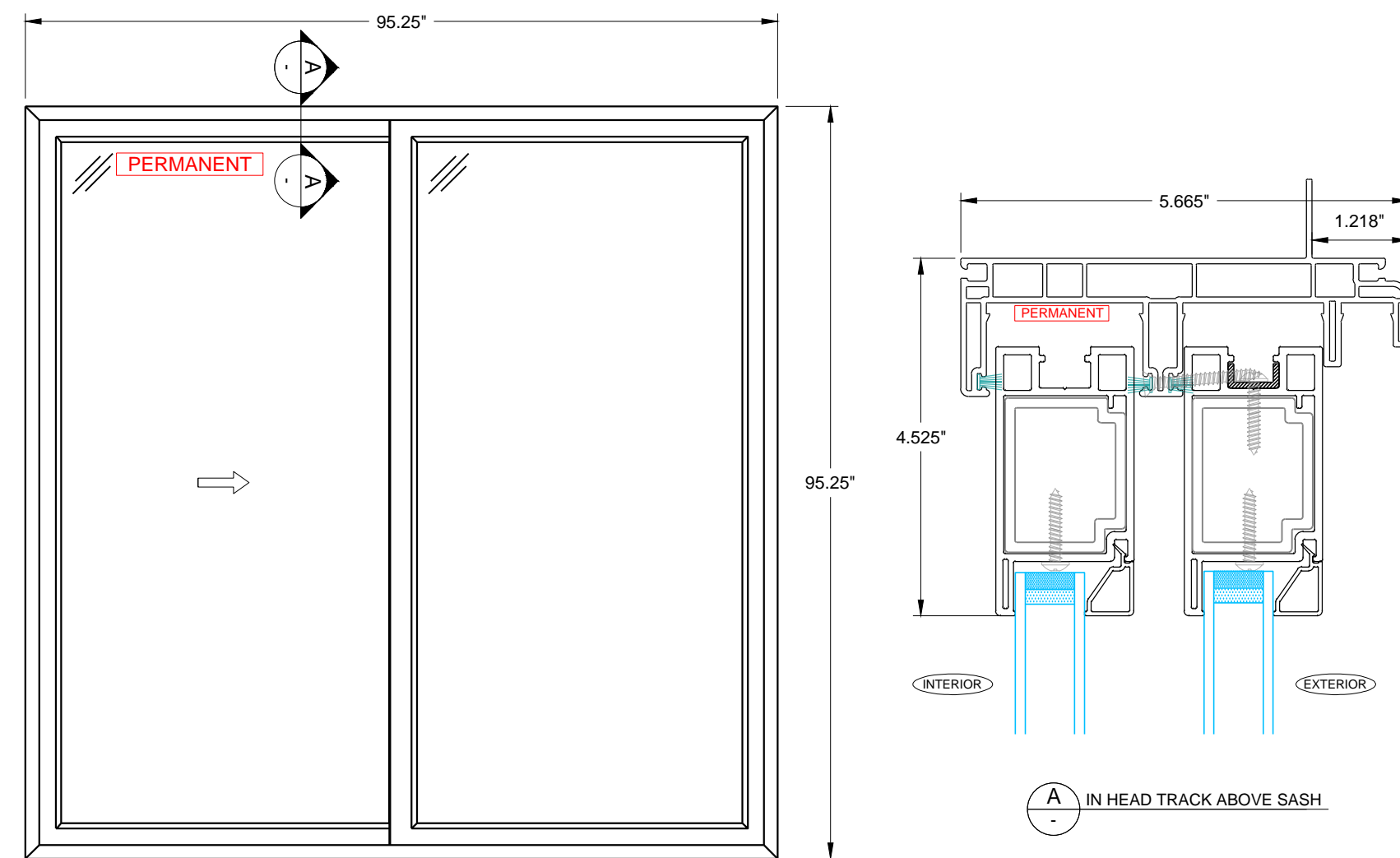
**4000 Series** NFRC PERMANENT LABEL LOCATION



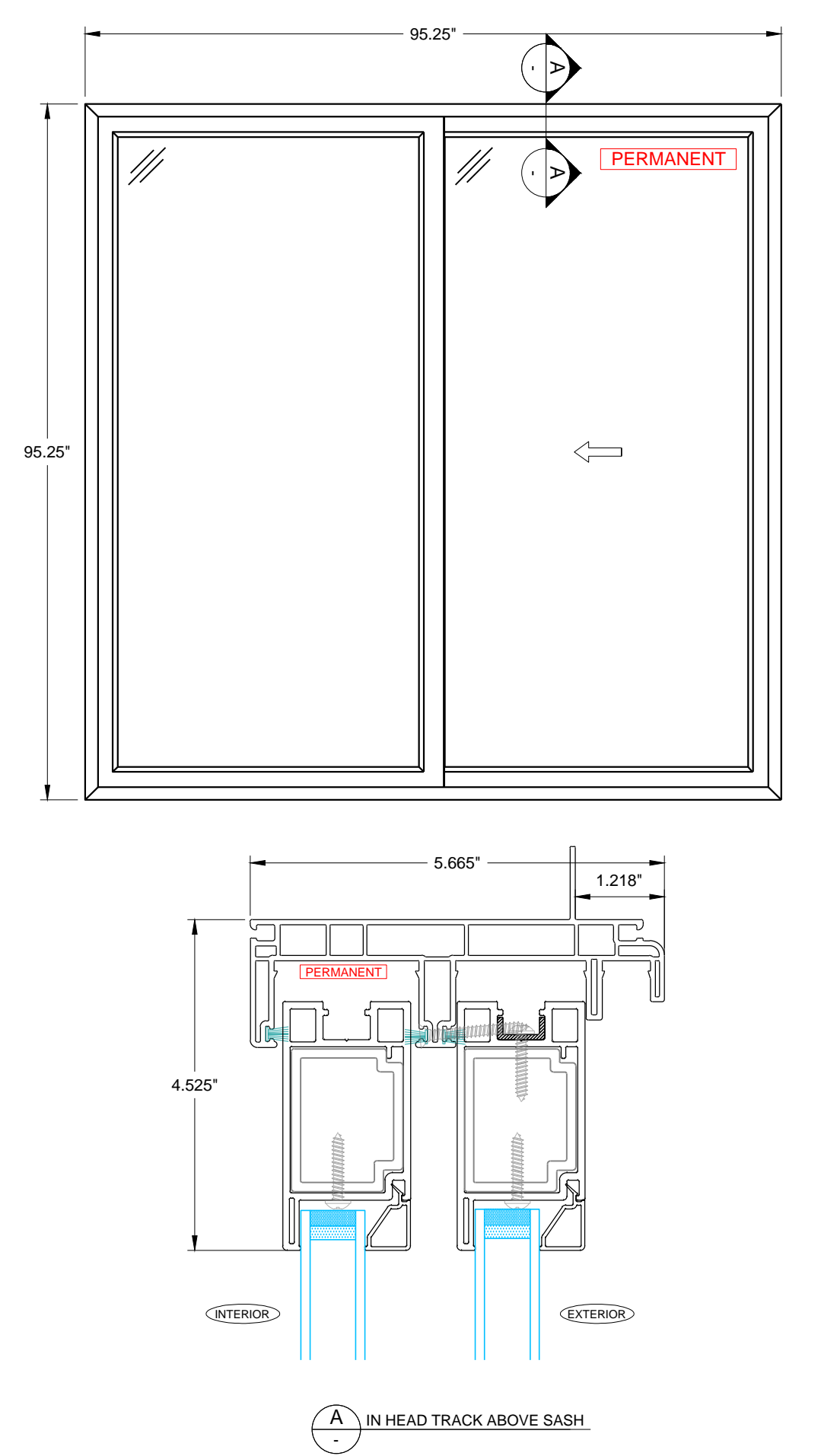
**4000 Series** NFRC PERMANENT LABEL LOCATION



**XO Grandview** NFRC PERMANENT LABEL LOCATION



**OX Grandview** NFRC PERMANENT LABEL LOCATION



Westeck Windows  
8104 Evans Road  
Chilliwack, BC, V2R 5R8  
Phone: 1 (877) 606 1166  
www.westeckwindows.com

DATE	2017-3-2
DRAWN	MATTR
SALES REP	Rachel Wille
SCALE	SCALE TO FIT
REVISION	A

PROJECT 2000 Series, 4000 Series, Grandview Doors	
QUOTE/ORDER NUMBER	DRAWING NUMBER
-	POSTER SHEET